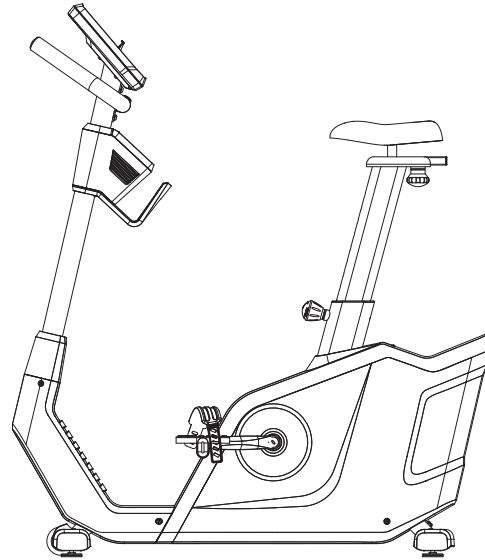




**HORIZON**  
FITNESS



**5.0U UPRIGHT BIKE    OWNER'S MANUAL**

3	ENGLISH
30	FRANÇAIS
58	ESPAÑOL



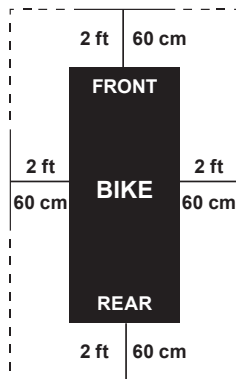
# UPRIGHT BIKE OPERATION



## HOW TO MOVE THE UPRIGHT BIKE

Due to the weight of the Upright Bike, it is recommended that two people move it. While one person lifts the back of the Upright Bike, the second person firmly holds the handlebar and tips the Upright Bike forward until it rolls on the wheels. Carefully move the Upright Bike to the desired location and then lower it.

If the Upright Bike rocks on the floor after being set down, turn the leveling feet underneath the front or rear stabilizer until the rocking motion is eliminated.

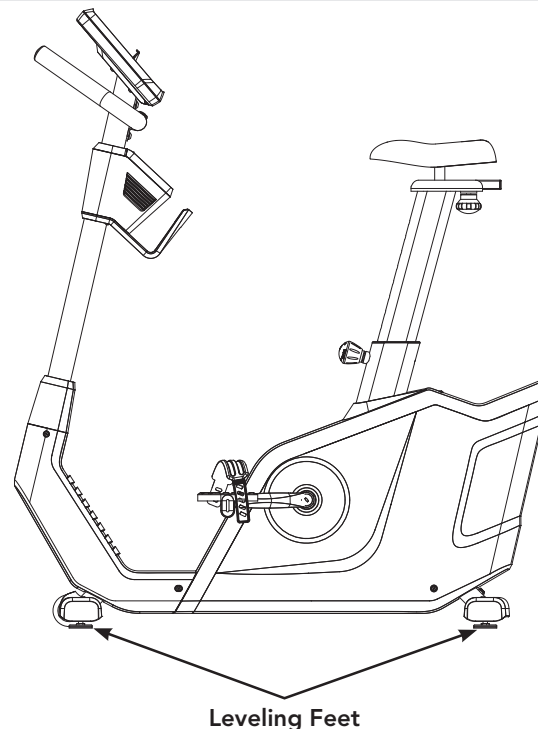


## LOCATION OF THE UPRIGHT BIKE

Place the Upright Bike on a level surface. There should be 2 feet (60 cm) on each side surrounding the Upright Bike. Do not place the cycle in any area that will block any vent or air openings. The Upright Bike should not be located in a garage, covered patio, near water or outdoors.

## ⚠ WARNING

To reduce the risk of injury, use extreme caution while moving the Upright Bike. Do not attempt to move it over uneven surfaces and make sure there's a clear space of 24 inches (minimum) on all sides of the equipment.







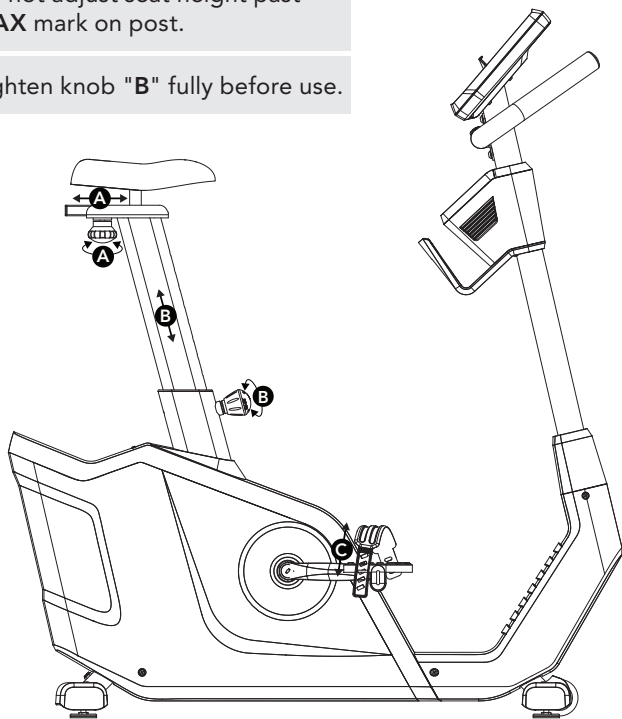
## HOW TO ADJUST THE UPRIGHT BIKE

The Upright Bike can be adjusted for maximum comfort and exercise effectiveness. The instructions below describe one approach to adjusting the Upright Bike to ensure optimal user comfort and ideal body positioning; you may choose to adjust the Upright Bike differently.

### **⚠ WARNING**

Do not adjust seat height past **MAX** mark on post.

Tighten knob "B" fully before use.



## SEAT ADJUSTMENT

Proper seat height helps ensure maximum exercise efficiency and comfort, while reducing the risk of injury. Adjust the seat height to make sure it's in proper position, one that keeps a slight bend in your knee while your legs are in the extended position.

### **A. Seat Horizontal Position**

Rotate the seat adjustment knob counterclockwise to slide the seat forward or backward as desired. Rotate the knob clockwise to lock the position. Test the seat slide for proper operation.

### **B. Seat Height**

Turn the adjustment knob counterclockwise and adjust the seat to a comfortable pedaling position. Rotate the knob clockwise to lock seat position.

### **C. Pedal Straps**

Place the ball of the foot into the strap until it's centered over the pedal, reach down and pull the pedal strap up to tighten prior to use. To remove your foot from the strap, loosen the strap and pull out.



## **WARNING**

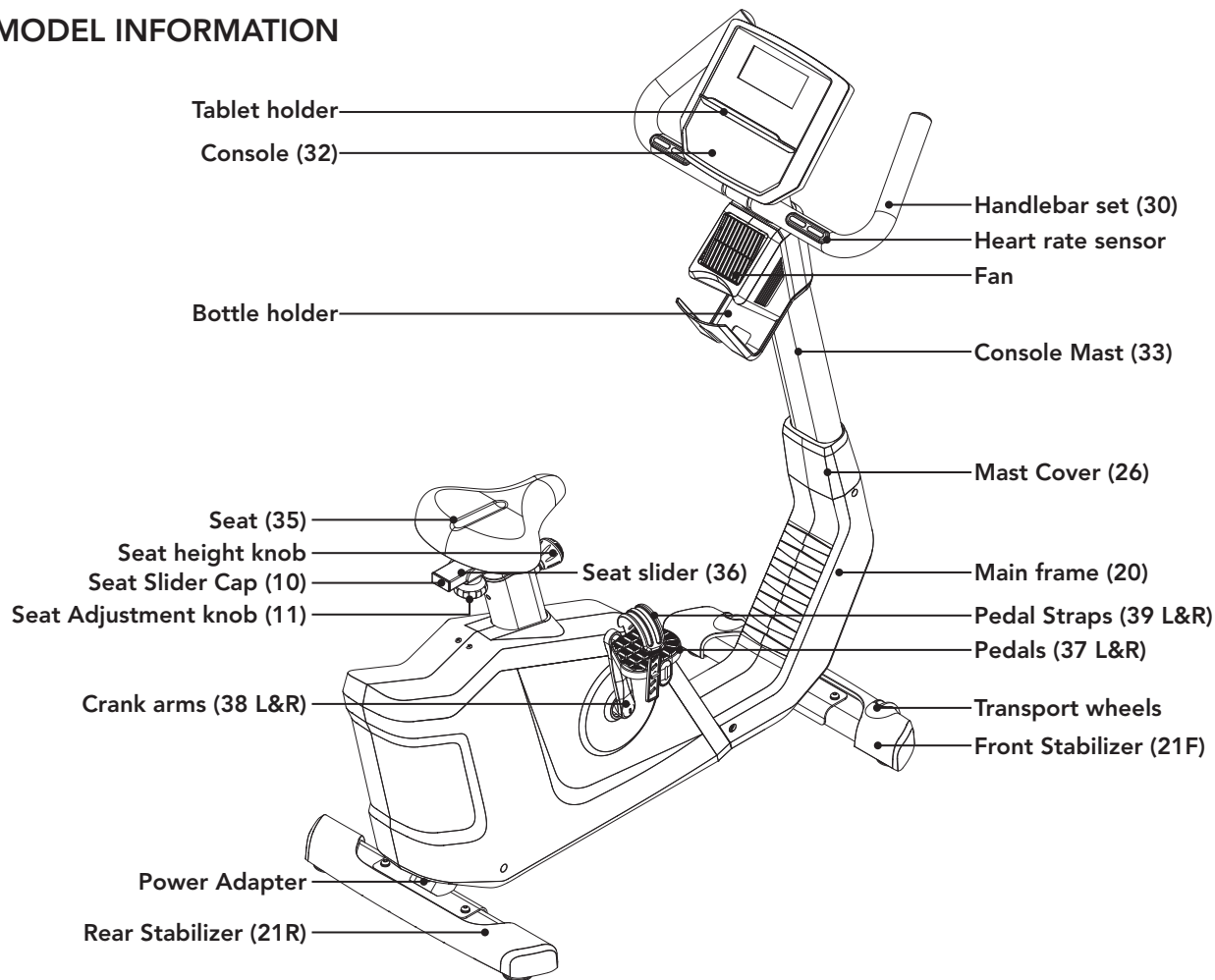
**READ AND SAVE ALL INSTRUCTIONS BEFORE ASSEMBLING OR USING THIS EXERCISE BIKE. IT IS STRONGLY RECOMMENDED TO TAKE THE FOLLOWING SAFETY INSTRUCTIONS.**

- **CAUTION:** If you experience chest pains, nausea, dizziness or shortness of breath, stop exercising immediately and consult your physician before continuing.
- Use this exercise bike for its intended purpose as described in this manual. Do not use attachments that have not been recommended by the manufacturer.
- Never operate the exercise bike if it is not working properly, or if it has been damaged. Contact Customer Tech Support or the authorized dealers for examination and repair.
- Do not use the exercise bike without proper footwear. NEVER operate the exercise bike with bare feet.
- Do not wear any clothing that might catch on any moving parts of this exercise bike.
- Keep hands and feet clear at all times from moving parts to avoid injury. Never turn the pedal cranks by hand.
- Do not dismount the exercise bike until the pedals are at a complete STOP.
- Do not attempt to ride the exercise bike in a standing position at high RPMs until you have practiced at slower speeds.
- Do not insert any object, hands or feet into any openings, or expose hands, arms or feet to the drive mechanism or other potentially moving part of the exercise bike.
- Do not use any equipment that is damaged or has worn or broken parts. Use only replacement parts supplied by Customer Tech Support or the authorized dealers.
- Do not operate where aerosol (spray) products are being used or when oxygen is being administered.
- Close supervision is necessary when used near children, invalids or disabled people.
- When the exercise bike is in use, young children and pets should be kept at least 3 meters / 10 feet away.
- Ensure that seat adjustment knobs (seat and handlebar fore-and-aft) are properly secured and do not interfere with range of motion during exercise.





## MODEL INFORMATION





## MAIN PARTS INCLUDED:

- Main Frame (20)
- Front Stabilizer (21F)
- Rear Stabilizer (21R)
- Handlebar Set (30)
- Mast Cover (26)
- Console (32)
- Console Mast (33)
- Pedal Set (37&39 L&R)
- Seat Post Set (10,11,35,36)
- Power Adapter

## PARTS PACKING INCLUDED:

- 1 Hardware Kit
- 1 Owner's Manual

## PRE ASSEMBLY

### UNPACKING

Due to the weight of the Upright Bike, **it is recommended that two people perform the assembly.** Unpack the product where you will be using it. It is recommended that you place a protective covering on your floor. Place the carton on a level flat surface and remove all packing materials; do not dispose of the packing materials until assembly is completed.

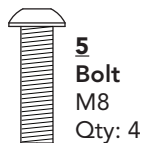
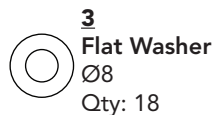
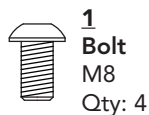
NOTE: During each assembly step, ensure that ALL nuts and bolts are in place and partially threaded in before completely tightening any ONE bolt.

NOTE: A light application of grease may aid in the installation of hardware. Any grease, such as lithium bike grease is recommended.

### NEED HELP?

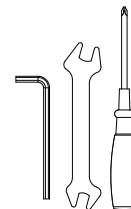
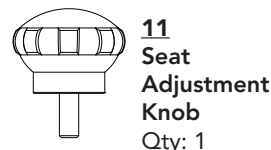
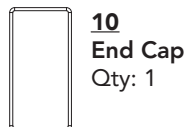
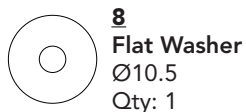
If you have questions or if there are any missing parts, contact Customer Tech Support. Contact information is located on the back panel of this manual.

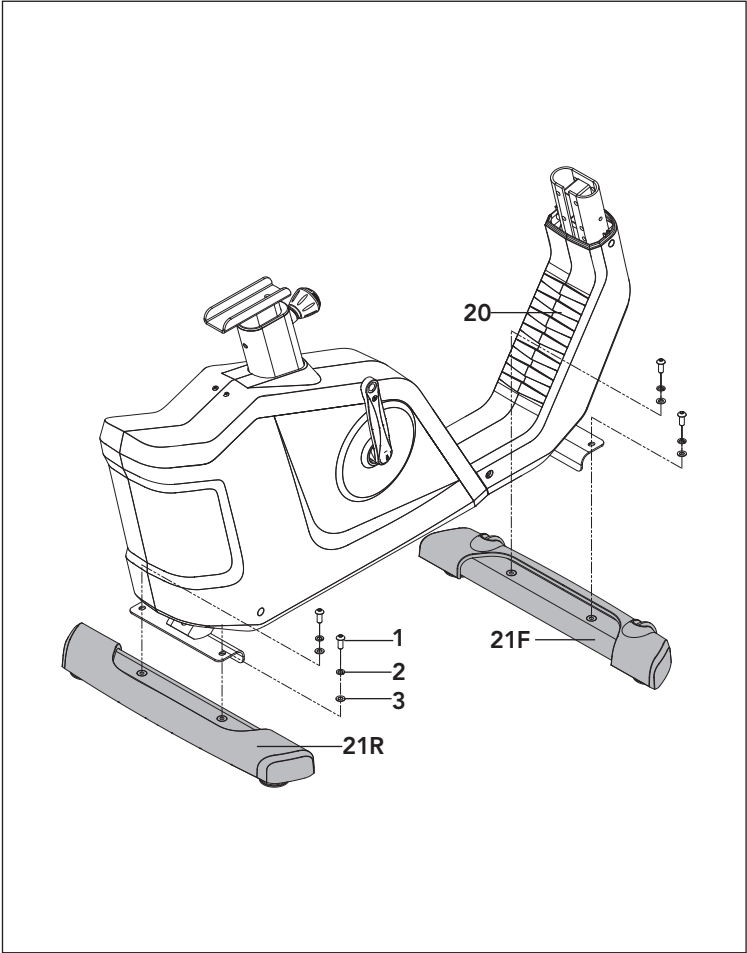
## HARDWARE KIT:



### Tool Kit

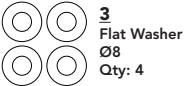
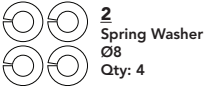
5mm Wrench  
13/15mm Wrench  
Screwdriver





# ASSEMBLY STEP 1

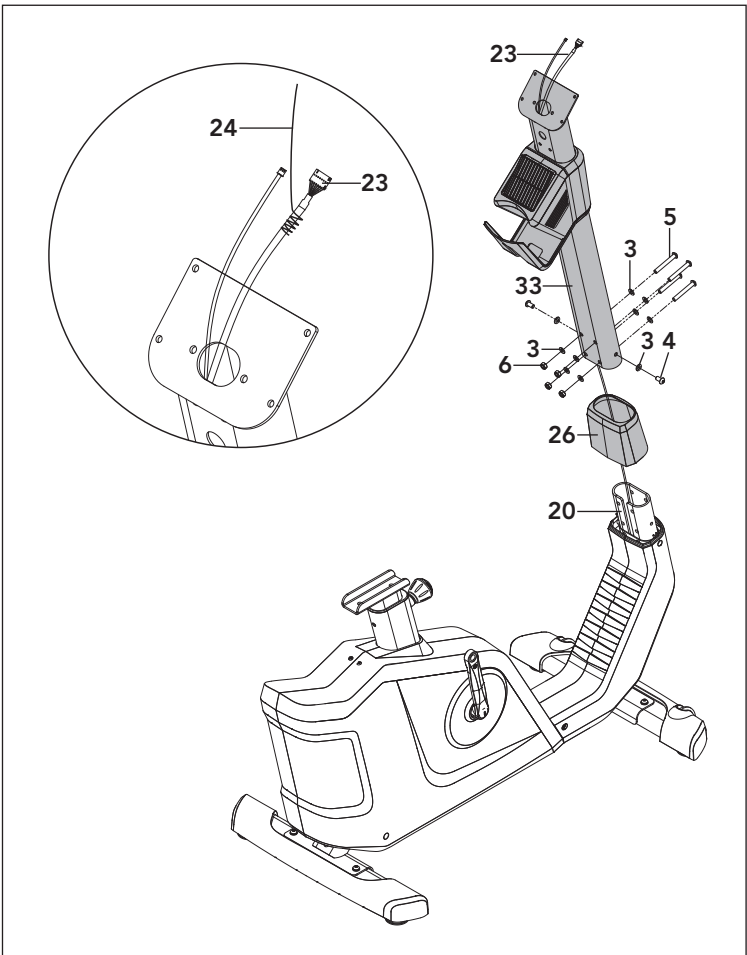
## STEP 1 HARDWARE :




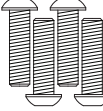


- 1.1 Open hardware for **Step 1**.
- 1.2 Attach the **Front Stabilizer (21F)** and **Rear Stabilizer (21R)** to the **Main Frame (20)** using **4 Bolts (1)**, **4 Spring Washers (2)** and **4 Flat Washers (3)**. Tighten firmly.



## ASSEMBLY STEP 2

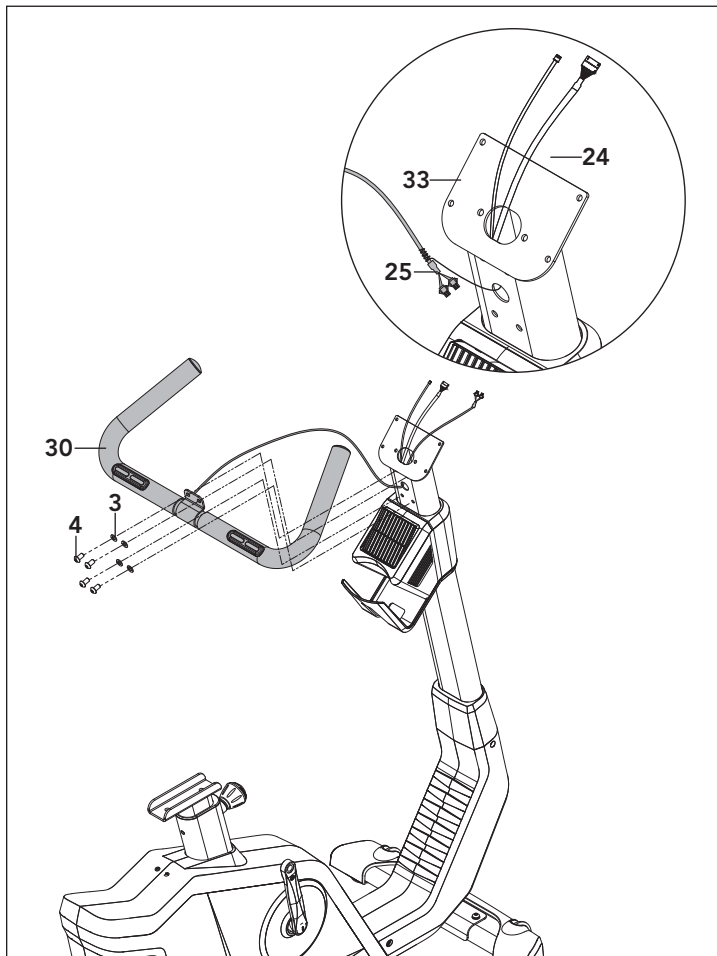


### STEP 2 HARDWARE :

-  **4** Bolt M8 Qty: 2
-  **5** Bolt M8 Qty: 4
-  **6** Nut M8 Qty: 4
-  **3** Flat Washer Ø8 Qty: 10

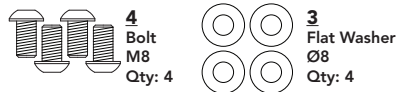
- 2.1 Attach **Lead Wire (24)** to **Console Cable (23)**. Pull through **Mast Cover(26)** and out opening of **Console Mast (33)**.
- 2.2 Slide **Mast Cover(26)** over **Console Mast (33)**.
- 2.3 Attach **Console Mast (33)** to **Main Frame (20)** using **6 Bolts (4,5)**, **4 Nuts (6)** and **10 Washers (3)**. Tighten firmly.

**NOTE:** Be careful not to pinch any wires while assembling console mast.



## ASSEMBLY STEP 3

### STEP 3 HARDWARE :



- 3.1 Open hardware for **Step 3**.
- 3.2 Attach **Lead Wire (24)** to **Handlebar cable (25)** and feed **Handlebar Cable (25)** through the **Console Mast (33)**.
- 3.3 Attach **Handlebar Set (30)** to **Console Mast (33)** with **4 Bolts (4)** and **4 Flat Washers (3)**.

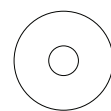
**NOTE:** Be careful not to pinch any wires while assembling handlebars.



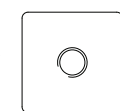


## ASSEMBLY STEP 4

### STEP 4 HARDWARE :



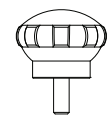
**8**  
Flat Washer  
Ø10.5  
Qty: 1



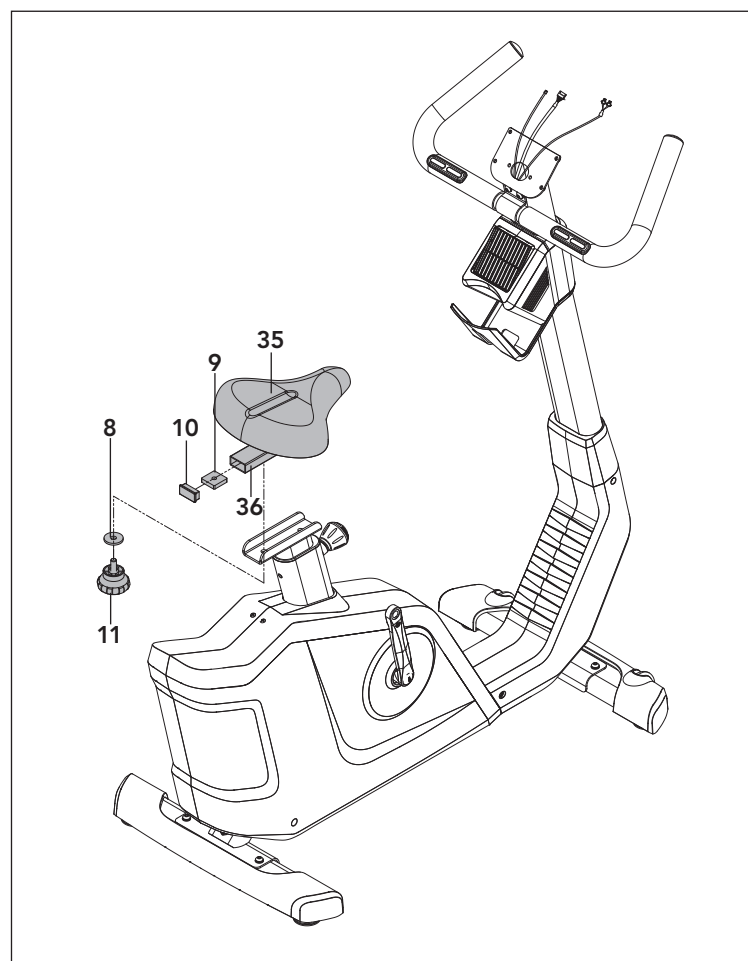
**9**  
Plate  
M10  
Qty: 1



**10**  
End Cap  
Qty: 1

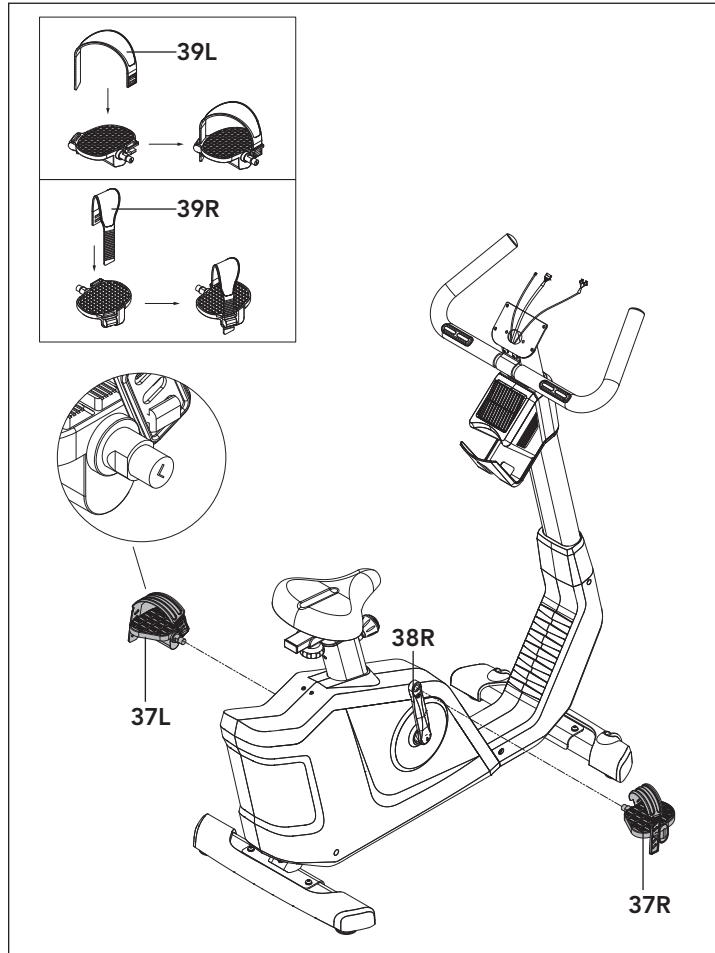


**11**  
Seat Adjustment  
Knob  
Qty: 1



- 4.1 Open hardware for **Step 4**.
- 4.2 Insert **Plate (9)** into **Seat Slider (36)**.
- 4.3 Place **Seat (35)** with **Plate (9)** onto seat post U-bracket and screw **Seat Adjustment Knob (11)** with **Flat Washer (8)** into **Plate (9)**.
- 4.4 Insert **End Cap (10)** onto **Seat Slider (36)**.

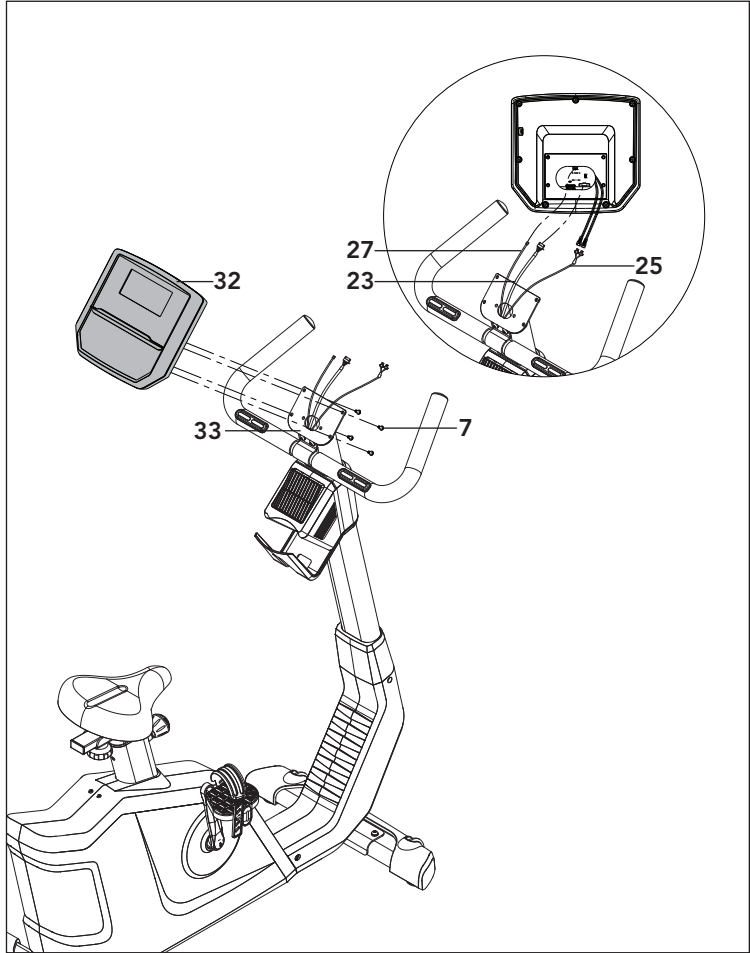
## ASSEMBLY STEP 5



- 5.1 Identify **Left Pedal (37L)** which is labeled **L** on spindle and **Right Pedal (37R)** labeled **R**.
- 5.2 Insert **Left Pedal Strap (39L)** into **Left Pedal (37L)** and **Right Pedal Strap (39R)** into **Right Pedal (37R)**.
- 5.3 Insert **Left Pedal (37L)** into **Left Crank Arm (38L)**, ensure screw threads are aligned. Tighten Counter-clockwise.
- 5.4 Insert **Right Pedal (37R)** into **Right Crank Arm (38R)**, ensure screw threads are aligned. Tighten Clockwise.
- 5.5 Use **Wrench** to fully tighten pedals. No screw threads should be visible and pedal axle should be fully seated.

**NOTE:** Make sure pedals are FULLY TIGHTENED before use.

**NOTE:** Left crank arm is reverse threaded so it is very important to tighten counter-clockwise. Tightening the opposite direction can damage pedal or crank arm.



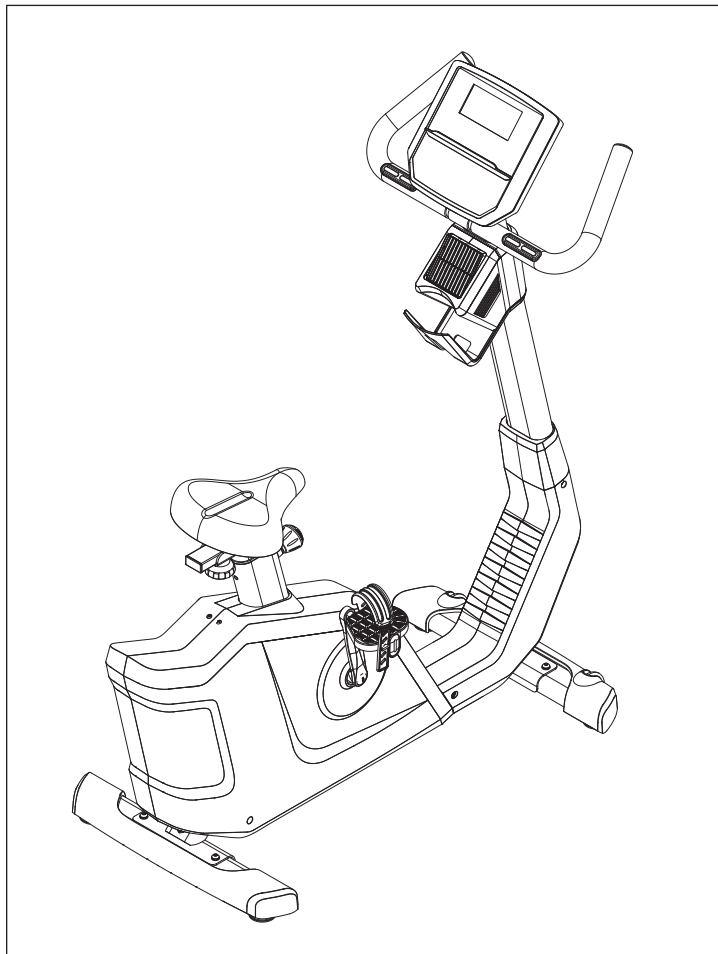
# ASSEMBLY STEP 6

## STEP 6 HARDWARE :

-  **7**  
Bolt  
M5  
Qty: 4

- 6.1 Open hardware for **Step 6**.
- 6.2 Attach **Console Cable (23)**, **Handlebar Cables (25)**, and **Fan Cable (27)** to **Console (32)**.
- 6.3 Carefully tuck all cables into **Console Mast (33)**.
- 6.4 Attach **Console (32)** to **Console Mast (33)** using **4 Bolts (7)**.

**NOTE:** Be careful not to pinch any wires while assembling console.



## ASSEMBLY STEP 7

### **CONGRATULATIONS!**

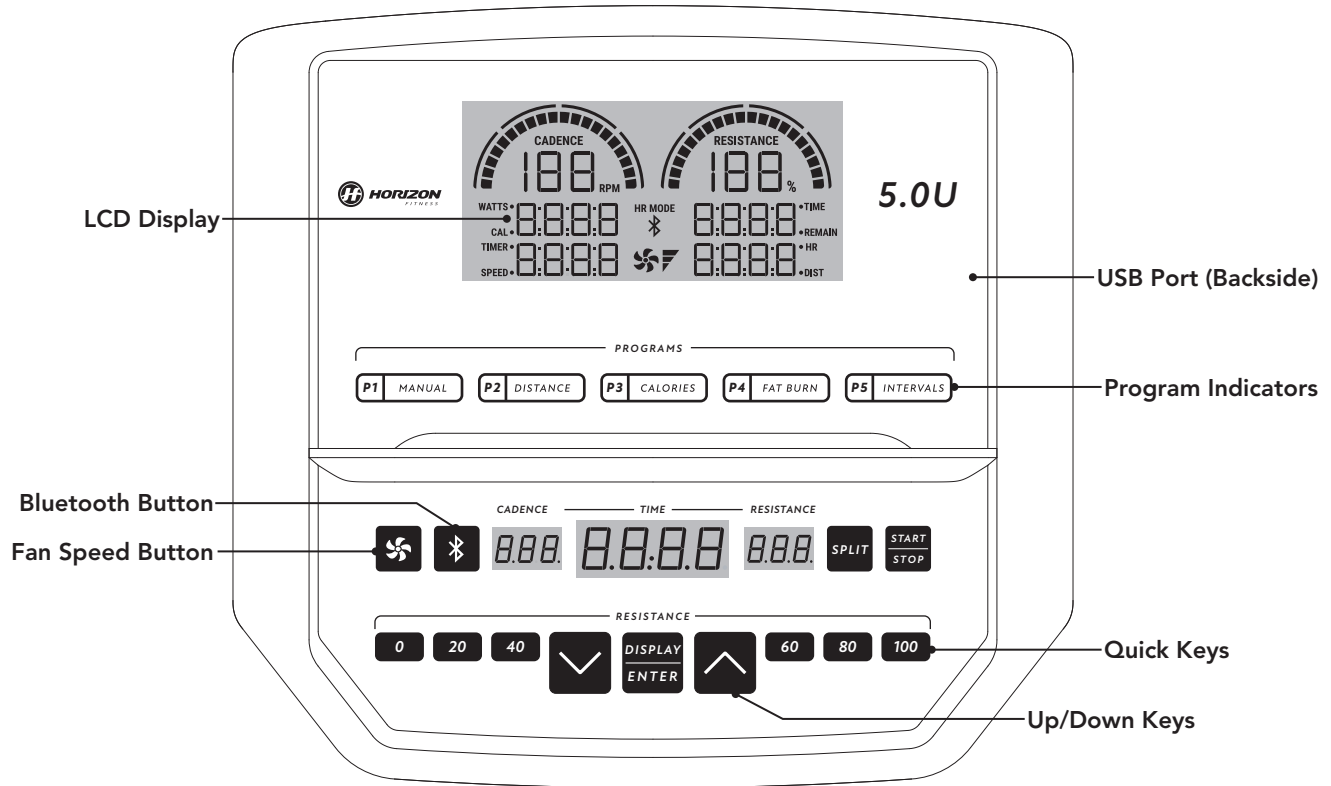
You have successfully assembled your Upright Bike.



# CONSOLE OPERATION



## 5.0U CONSOLE



**NOTE:** There is a thin protective sheet of clear plastic on the overlay of the console that should be removed before use.



## 5.0U CONSOLE OPERATION

**LCD DISPLAY WINDOWS:** time, remain, distance, calories, heart rate, timer, speed, watts, cadence and resistance level.

**LCD DISPLAY INDICATORS:** indicates what information is being displayed.

**START:** press to begin exercising, start your workout, or resume exercising after pause.

**STOP:** press to pause/end your workout. Hold for 3 seconds to reset the console.

**SPLIT:** press this key to reset the Segment Time count-up timer to 0 seconds.

**UP/DOWN KEYS:** used to adjust resistance level.

**QUICK KEYS:** used to instantly jump to the desired resistance level.

**DISPLAY/ENTER:** used to confirm a selection. Press to change display feedback during workout.

**BLUETOOTH:** used to connect bluetooth devices. hold to switch between Heart Rate mode and App mode.

**ENERGY SAVER:** To minimize energy consumption, your machine will enter energy saver mode (ERP) automatically when not in use and the console will be woken up quickly with a touch of a button.

**USB PORT:** for charging and software updates, maximum output is 1A/5V.

## 5.0U CONSOLE DISPLAY

**TIME/REMAIN:** Shown as minutes: seconds. View the time remaining or the time elapsed in your workout.

**HEART RATE:** Shown as BPM (beats per minute). Used to monitor your heart rate (displayed when using HR straps).

**DISTANCE:** Shown as miles. Indicates distance traveled or distance remaining during your workout.

**WATTS:** Indicates your cycling rate at any moment.

**CALORIES:** Total calories burned or calories remaining left to burn during your workout.

**TIMER:** is almost identical to TIME, but will reset to 0s when the split key is pressed.

**SPEED:** Shown as MPH. Indicate the bike's overall speed on the road.

**RESISTANCE:** Shows the current level of resistance.

**CADENCE:** Shown as RPM. Indicates how fast the foot pedals are moving.



## PROGRAM INFORMATION

**P1) MANUAL:** Adjust your resistance manually during your workout.

**P2) DISTANCE:** Push yourself and go further during your workout with 13 distance workouts. Choose from 1 mile, 2 miles, 5k, 5 miles, 10k, 8 miles, 15k, 10 miles, 20k, half marathon, 15 miles, 20 miles, and marathon goals.

**P3) CALORIES:** Set goals for burning calories.

**P4) FAT BURN:** A workout designed specifically to target fat. Promotes weight loss by increasing and decreasing the resistance, while keeping you in your fat burning zone. Includes 10 levels.

**P5) INTERVALS:** Improves your strength, speed, and endurance by increasing and decreasing the resistance throughout your workout to involve your heart and other muscles. Includes 10 levels.





## GETTING STARTED

1. Check to make sure no objects are nearby that will hinder the movement of the Bike.
2. Plug in the power cord.

NOTE: The Bike does not have a power switch and will turn on when power is supplied.

### QUICK START UP

Simply press the START key to begin working out. The time will count up from 0:00, the resistance level will default to level 0. OR...

### SELECT A WORKOUT OR TARGET

1. Select your PROGRAM with the Up/Down buttons and press ENTER when your desired PROGRAM is displayed.
2. Adjust the SETTING with the Up/Down buttons and press ENTER when your desired SETTING is displayed.
3. Press START to begin.

NOTE: If no WORKOUT is selected, the program will function as a MANUAL program. All changes in resistance level will need to be from the user in this setting.

### TO RESET THE CONSOLE

Hold STOP key for 3 seconds.

### FINISHING YOUR WORKOUT

When your workout is complete, the monitor display will beep. Your workout information will stay displayed on the console for 30 seconds and then reset.

### CLEAR CURRENT SELECTION


To clear the current program selection or screen, hold the STOP button for 3 seconds.



## HOW TO SWITCH BETWEEN APP MODE & BT HEART RATE MODE

### Home- P1

#### Connecting to an App (default mode)


If using a 3rd party App, please turn on your device's Bluetooth (BT) and follow the App pairing instructions. Ensure the bike console is not connected to any other BT devices by checking that the BT symbol  is not lit on the console.

If you wish to use the BT HR Strap with a 3rd party App that is capable, then connect to the HR strap from within the App interface (please follow the App instructions to find and connect to the HR Strap).


Follow the 3rd party App instructions to start the program. Some require you to start from inside the App, others require you to press the console Start button first.

To stop the workout, End Ride in the App and press Stop button on console for 3 seconds.

#### Connecting to HR Strap (off by default)

In order to access to HR Strap mode, make sure the console is not currently connected to any Bluetooth (BT) devices by checking that no BT Symbol  is displayed on the console.

Wear the HR strap, make sure to read the strap instruction. Note: Some chest contact HR straps need to be moist to read the HR precisely.

Press and hold the Bluetooth button for a few seconds until HR MODE symbol displays on the right LCD corner. Once the console detects the BT HR strap, the BT symbol  will display on the LED screen.

Hit Start to begin a workout and console should show the heart rate.

To exit HR Strap mode, disconnect the BT HR device and ensure the BT symbol disappears from the display. Then press and hold Bluetooth button for a few seconds until "HR MODE" disappears on LED screen. NOTE: it should take a few seconds for the Bluetooth to disconnect from the console.

### HORIZON CONNECTED FITNESS SYSTEM

Your Horizon machine is Bluetooth ready, allowing you to use Bluetooth 4.0 technology to wirelessly connect your device and other apps to your Horizon product. For a complete list of 3rd party fitness apps compatible with your Horizon product follow the link below:

<http://horizonfit.co/5-0U>





# TROUBLESHOOTING & MAINTENANCE



## COMMON PRODUCT QUESTIONS

### **ARE THE SOUNDS MY Upright Bike MAKES NORMAL?**

Our Upright Bikes are some of the quietest available because they use belt drives and magnetic brake resistance. We use the highest grade bearings and chains/belts to minimize noise. However, because the resistance system itself is so quiet, you will occasionally hear other slight mechanical noises. Unlike older, louder technologies, there are no fans, friction belts, or alternator noises to mask these sounds on our Upright Bikes. These mechanical noises, which may or may not be intermittent, are normal and are caused by the transfer of significant amounts of energy to a rapidly spinning flywheel. All bearings, chains/belts and other rotating parts will generate some noise which will transmit through the casing and frame. It is also normal for these sounds to change slightly during a workout and over time because of thermal expansion of the parts.

### **WHY IS THE Upright Bike I HAD DELIVERED LOUDER THAN THE ONE AT THE STORE ?**

All fitness products seem quieter in a large store showroom because there is generally more background noise than in your home. Also, there will be less reverberation on a carpeted concrete floor than on a wood overlay floor. Sometimes a heavy rubber mat will help reduce reverberation through the floor. If a fitness product is placed close to a wall, there will be more reflected noise.

### **HOW LONG WILL THE BELT LAST?**

The computer modeling we have done indicated virtually thousands of maintenance free hours. You should not have to replace the belt as long as you have the Upright Bike.

### **CAN I MOVE THE Upright Bike EASILY ONCE IT IS ASSEMBLED?**

Your Upright Bike has a pair of transport wheels built into the front stabilizer tube. Please follow the moving the Upright Bike section to transport your Upright Bike. It is important that you place your Upright Bike in a comfortable and inviting room. Your Upright Bike is designed to use minimal floor space. Many people will place their Upright Bikes facing the TV or a window. If at all possible, avoid putting your Upright Bike in an unfinished basement. To make exercise a desirable daily activity for you, the Upright Bike should be in a comfortable setting.



## TROUBLE SHOOTING

**PROBLEM:** The Upright Bike makes a squeaking or chirping noise.

**SOLUTION:** Verify the following:

- The Upright Bike is on a level surface.
- Loosen all bolts attached during the assembly process, grease the threads, and tighten again.

If this does not remedy the problem, you may  
**CONTACT CUSTOMER TECH SUPPORT AT THE NUMBER ON THE BACK PANEL.**

The following information may be asked of you when you call. Please have these items readily available:

- Model Name
- Serial Number
- Proof of Purchase (receipt or credit card statement)

You may find more troubleshooting suggestions on the customer support section of our website. Contact customer support using the contact information on the **BACK PANEL**.

In order for Customer Tech Support to service your Upright Bike they may need to ask detailed questions about the symptoms that are occurring. Some troubleshooting questions that may be asked are:

- How long has this problem been occurring?
- Does this problem occur with every use? With every user?
- If you are hearing a noise, does it come from the front or the back? What kind of noise is it (thumping, grinding, squeaking, chirping etc.)?
- Has the machine been lubricated and maintained per the maintenance schedule?

Answering these and other questions will give the technicians the ability to send proper replacement parts and the service necessary to get you and your Upright Bike running again!



## **MAINTENANCE**

### **What kind of routine maintenance is required?**

Minimal maintenance and cleaning is required. We use sealed bearings throughout our bikes so lubrication is not needed. The most important maintenance step is to simply wipe your perspiration off the bike after each use.

### **How do I clean my bike?**

Clean with mild soap and water cleaners only. Never use solvents on plastic parts. Cleanliness of your bike and its operating environment will keep maintenance problems and service calls to a minimum. For this reason, we recommend that the following preventive maintenance schedule be followed.

## **MAINTENANCE SCHEDULE**

### **AFTER EACH USE**

Clean the Upright Bike using soft cloths or paper towels or other gentle solution (cleaning agents should be alcohol and ammonia free). Disinfect the saddle and handlebars and wipe off all bodily residues.

### **BEFORE EACH USE**

Make sure that the Upright Bike is level and does not rock. Ensure that the pedals are tight in crank arms and not cross-threaded, all screws on pedals are tight, and pedal straps are not frayed.

### **MONTHLY**

Inspect all assembly bolts and pedals on the machine for proper tightness.

Adhering to this schedule will extend the life of your machine.



# LIMITED HOME-USE WARRANTY



**WEIGHT CAPACITY = 300 lbs (136 kilograms)**

**FRAME • LIFETIME**

Manufacturer warrants the frame against defects in workmanship and materials for the period specified above from the date of purchase, so long as the device remains in the possession of the original owner. (The frame is defined as the welded metal base of the unit and does not include any parts that can be removed.)

**PARTS & ELECTRONICS • 1 YEAR**

Manufacturer warrants the electronic components, finish and all original parts for a period specified above from the date of original purchase, so long as the device remains in the possession of the original owner.

**LABOR • 1 YEAR**

Manufacturer shall cover the labor cost for the repair of the device for a period specified above from the date of the original purchase, so long as the device remains in the possession of the original owner.

**EXCLUSIONS AND LIMITATIONS**

Who IS covered:

- The original owner and is not transferable.

What IS covered:

- Repair or replacement of a defective motor, electronic component, or defective part and is the sole remedy of the warranty.

What IS NOT covered:

- Normal wear and tear, improper assembly or maintenance, or installation of parts or accessories not originally intended or compatible with the equipment as sold.
- Damage or failure due to accident, abuse, corrosion, discoloration of paint or plastic, neglect, theft, vandalism, fire, flood, wind, lightning, freezing, or other natural disasters of any kind, power reduction, fluctuation or failure from whatever cause, unusual atmospheric conditions, collision, introduction of foreign objects into the covered unit, or modifications that are unauthorized or not recommended by the Manufacturer.
- Incidental or consequential damages. The Manufacturer is not responsible or liable for indirect, special or consequential damages, economic loss, loss of property, or profits, loss of enjoyment or use, or other consequential damages of whatsoever nature in connection with the purchase, use, repair or maintenance of the equipment. The Manufacturer





- does not provide monetary or other compensation for any such repairs or replacement parts costs, including but not limited to gym membership fees, work time lost, diagnostic visits, maintenance visits or transportation.
- Equipment used for commercial purposes or any use other than a single family or Household, unless endorsed by the Manufacturer for coverage.
  - Equipment owned or operated outside the US and Canada.
  - Delivery, assembly, installation, setup for original or replacement units or labor or other costs associated with removal or replacement of the covered unit.
  - Any attempt to repair this equipment creates a risk of injury. The Manufacturer is not responsible or liable for any damage, loss or liability arising from any personal injury incurred during the course of, or as a result of any repair or attempted repair of your fitness equipment by other than an authorized service technician. All repairs attempted by you on your fitness equipment are undertaken AT YOUR OWN RISK and the Manufacturer shall have no liability for any injury to the person or property arising from such repairs.
  - If you are out of the Manufacturer's warranty but have an extended warranty, refer to your extended warranty contract for contact information regarding requests for extended warranty service or repair.

## SERVICE/RETURNS

- In-home service is available within 150 miles of the nearest authorized Service Provider (Mileage beyond 150 miles from an authorized service center is the responsibility of the consumer).
- All returns must be pre-authorized by the Manufacturer.
- Manufacturer's obligation under this warranty is limited to replacing or repairing, at the Manufacturer's option, the same or comparable model.
- Manufacturer may request defective components be returned to the Manufacturer upon completion of warranty service using a prepaid return shipping label. If you have been advised to return parts and did not receive a label, please contact Customer Tech Support.
- Replacement units, parts and electronic components reconditioned to as-new condition by the Manufacturer or its vendors may sometimes be supplied as warranty replacement and constitute fulfillment of warranty terms.
- This warranty gives you specific legal rights, and your rights may vary from state to state.



# FRANÇAIS



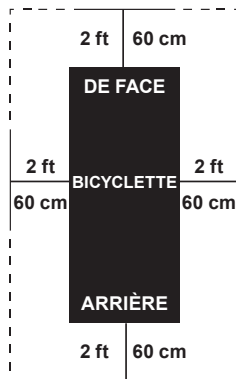
# FONCTIONNEMENT DU VÉLO DROIT



## COMMENT DÉPLACER LE VÉLO DROIT

Compte tenu du poids du vélo droit, il est recommandé de le déplacer avec l'aide d'une autre personne. Pendant qu'une personne soulève l'arrière du vélo droit, la seconde personne tient fermement le guidon et fait basculer le vélo droit vers l'avant jusqu'à ce qu'il roule sur ses roues. Déplacez délicatement le vélo droit jusqu'à l'emplacement souhaité, puis abaissez-le.

Si le vélo droit est bancal après avoir été posé sur le sol, tournez les pieds de réglage sous le stabilisateur avant ou arrière jusqu'à ce que le mouvement de balancement soit éliminé.

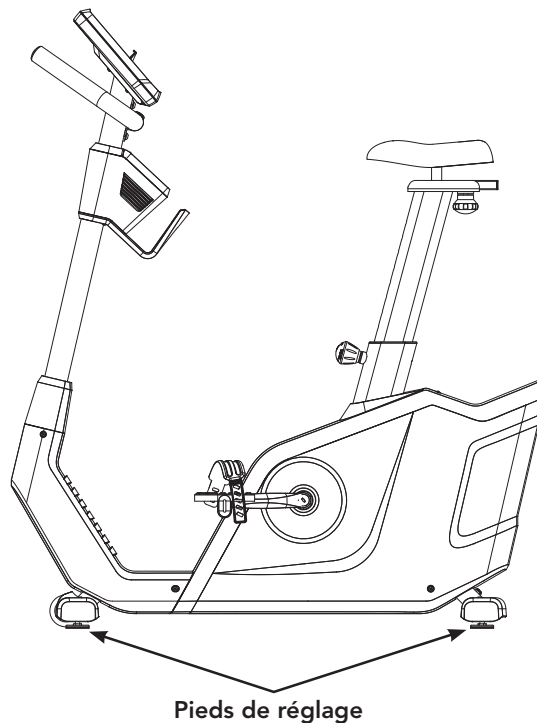


## EMPLACEMENT DU VÉLO DROIT

Placez le vélo droit sur une surface plane. Il doit y avoir un dégagement d'au moins 60 cm (2 pi) tout autour du vélo droit. Ne placez pas le vélo dans une zone qui bloquerait des prises de ventilation ou d'aération. Le vélo droit ne doit pas être placé dans un garage, dans un patio couvert, près de l'eau ou à l'extérieur.

## ⚠ AVERTISSEMENT

Pour réduire le risque de blessure, soyez extrêmement prudent(e) lorsque vous déplacez le vélo droit. N'essayez pas de le déplacer sur des surfaces inégales et assurez-vous qu'il y a un espace libre de 61 cm (24 po) (minimum) de tous les côtés de l'équipement.





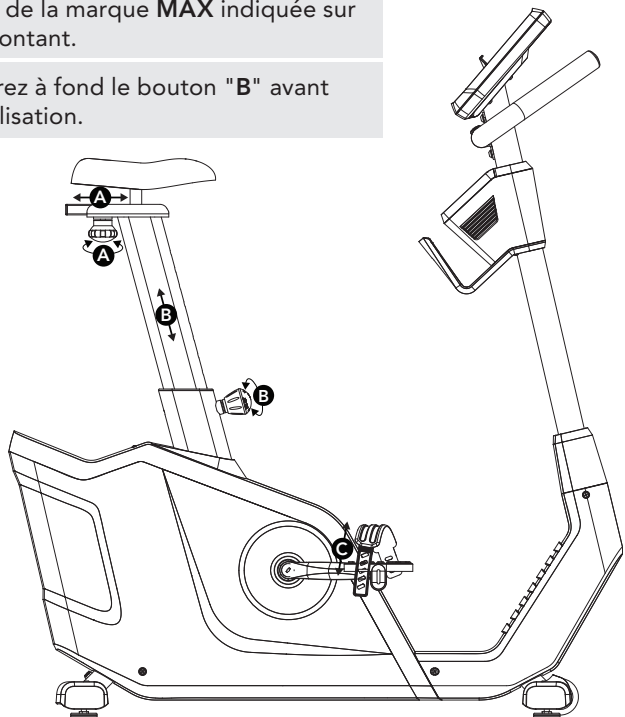
## COMMENT AJUSTER LE VÉLO DROIT

Le vélo droit peut être réglé pour un confort et une efficacité maximum. Les instructions ci-dessous décrivent une approche du réglage du vélo droit pour assurer un confort optimal de l'utilisateur et une position idéale du corps. Vous pouvez choisir de régler le vélo droit différemment.

### **⚠ AVERTISSEMENT**

Ne réglez pas la hauteur du siège au-delà de la marque **MAX** indiquée sur le montant.

Serrez à fond le bouton "B" avant l'utilisation.



### AJUSTEMENT DU SIÈGE

Une hauteur de siège correcte permet d'assurer une efficacité et un confort maximum pour l'exercice, tout en réduisant le risque de blessure. Réglez la hauteur du siège pour vous assurer qu'il est dans la bonne position, celle qui permet de conserver une légère flexion du genou lorsque vos jambes sont en position allongée.

### RÉGLAGE DU GUIDON

La position correcte du guidon est basée principalement sur le confort. En général, le guidon doit être positionné légèrement plus haut que la selle pour les cyclistes débutants. Les cyclistes avancés pourraient essayer différentes hauteurs et longueurs pour obtenir la disposition qui leur convient le mieux.

#### **A. Position horizontale du siège**

Tournez le bouton de réglage dans le sens antihoraire pour faire glisser le siège vers l'avant ou l'arrière, selon votre choix. Tournez le bouton dans le sens horaire pour verrouiller la position. Vérifiez le bon fonctionnement de la glissière du siège.

#### **B. Hauteur du siège**

Tournez le bouton de réglage dans le sens antihoraire, puis ajustez le siège pour obtenir une position de pédalage confortable. Tournez la molette dans le sens horaire pour verrouiller la position du siège.

#### **C. Sangles de pédale**

Placez la pointe du pied dans la cage d'orteil jusqu'à ce qu'elle soit centrée sur la pédale, puis tirez la sangle de la pédale vers le haut pour la serrer avant l'utilisation. Pour retirer votre pied de la cage d'orteil, desserrez la sangle et retirez votre pied.



## **AVERTISSEMENT**

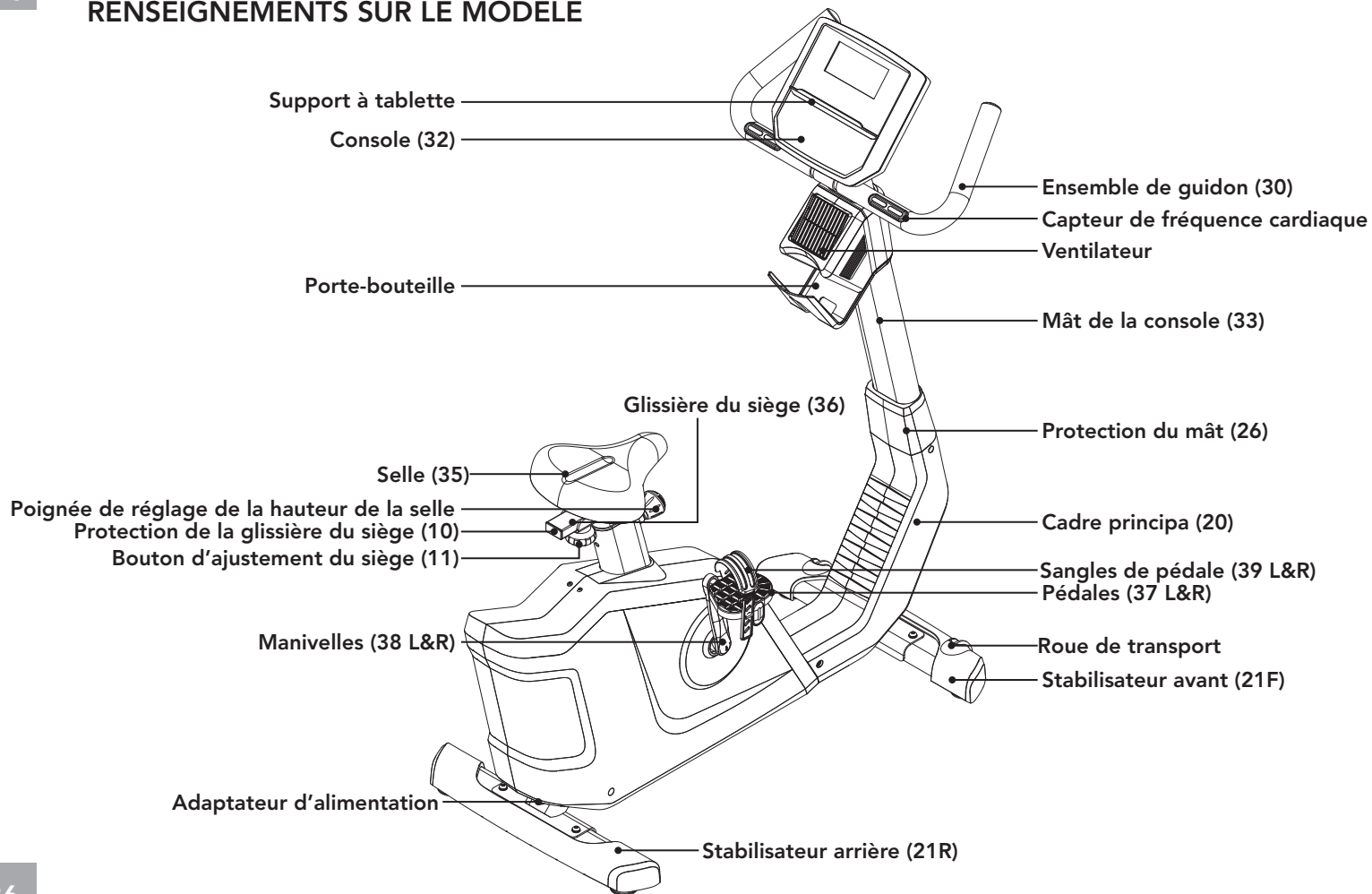
**LISEZ ET CONSERVEZ TOUTES LES INSTRUCTIONS AVANT D'ASSEMBLER OU D'UTILISER CE VÉLO D'EXERCICE. IL EST FORTEMENT RECOMMANDÉ DE RESPECTER LES CONSIGNES DE SÉCURITÉ SUIVANTES.**

- **ATTENTION:** Si vous ressentez des douleurs thoraciques, des nausées, des vertiges ou un essoufflement, arrêtez immédiatement l'exercice et consultez votre médecin avant de continuer.
- Utilisez ce vélo d'exercice pour l'usage auquel il est destiné, tel que décrit dans ce manuel. N'utilisez pas d'accessoires qui n'ont pas été recommandés par le fabricant.
- N'utilisez jamais le vélo d'exercice s'il ne fonctionne pas correctement ou s'il est endommagé. Contactez l'assistance technique à la clientèle ou les revendeurs agréés pour tout examen et toute réparation.
- N'utilisez pas le vélo d'exercice sans chaussures appropriées. N'utilisez JAMAIS le vélo d'exercice pieds nus.
- Ne portez pas de vêtements qui pourraient s'accrocher aux pièces mobiles de ce vélo d'exercice.
- Gardez en tout temps les mains et les pieds à l'écart des pièces mobiles pour éviter toute blessure. Ne tournez jamais les manivelles des pédales à la main.
- Ne démontez pas le vélo d'exercice tant que les pédales ne sont pas complètement ARRÊTÉES.
- N'essayez pas d'utiliser le vélo d'exercice en position debout à des vitesses élevées avant d'avoir fait de l'exercice à des vitesses plus lentes.
- N'insérez aucun objet, ni vos mains ou vos pieds dans les ouvertures, et n'exposez pas vos mains, vos bras ou vos pieds au mécanisme d'entraînement ou à d'autres pièces potentiellement mobiles du vélo d'exercice.
- N'utilisez pas le vélo d'exercice s'il est endommagé ou s'il a des pièces usées ou cassées. N'utilisez que des pièces de rechange fournies par l'assistance technique à la clientèle ou par des revendeurs agréés.
- N'utilisez pas ce vélo d'exercice dans une pièce où des produits en aérosol (vaporisateur) ou de l'oxygène sont utilisés.
- Une surveillance étroite est nécessaire en cas d'utilisation à proximité d'enfants, de personnes invalides ou de personnes handicapées.
- Lorsque le vélo d'exercice est utilisé, les jeunes enfants et les animaux domestiques doivent être tenus à une distance d'au moins 3 mètres (10 pieds).
- Veillez à ce que les boutons de réglage (siège et guidon avant et arrière) soient correctement fixés et ne gênent pas l'amplitude des mouvements pendant l'exercice.





## RENSEIGNEMENTS SUR LE MODÈLE







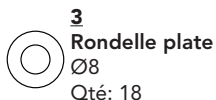
## PIÈCES PRINCIPALES COMPRISES:

- Cadre principal (20)
- Stabilisateur avant (21F)
- Stabilisateur arrière (21R)
- Ensemble de guidon (30)
- Protection du mât (26)
- Console (32)
- Mât de la console (33)
- Ensemble de pédales (37&39 L&R)
- Barre de hauteur du siège (10,11,35,36)
- Adaptateur d'alimentation

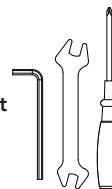
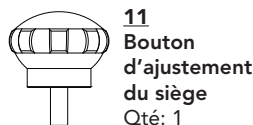
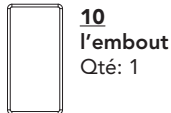
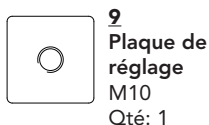
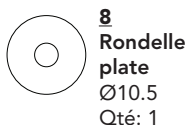
## EMBALLAGE DES PIÈCES INCLUS:

- 1 trousse de matériel
- 1 manuel de l'utilisateur

## TROUSSE DE MATÉRIEL:



**TROUSSE  
D'OUTILS**  
Clé de 5mm  
Clé de 13/15mm  
Tournevis



## PRÉASSEMBLAGE

### DÉBALLAGE

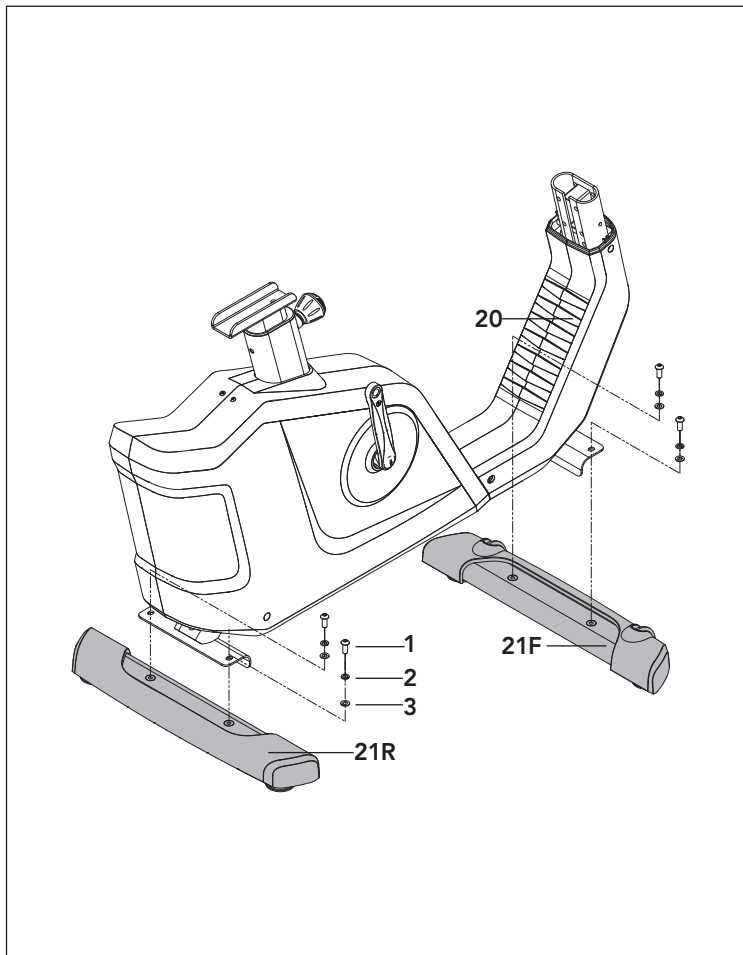
Compte tenu du poids du vélo droit, **il est recommandé que l'assemblage soit effectué par deux personnes**. Déballiez le produit à l'endroit où vous allez l'utiliser. Il est recommandé de placer un revêtement de protection sur votre sol. Placez le carton sur une surface plane et horizontale et retirez tous les matériaux d'emballage. Ne jetez pas les matériaux d'emballage avant la fin de l'assemblage.

**REMARQUE :** Lors de chaque étape de l'assemblage, assurez-vous que TOUS les écrous et boulons sont en place et partiellement filetés avant de serrer complètement UN seul boulon.

**REMARQUE :** Une légère application de graisse peut faciliter l'installation du matériel. Toute graisse, telle que la graisse pour vélo au lithium, est recommandée.



Si vous avez des questions ou s'il manque des pièces, contactez le service d'assistance technique à la clientèle. Les coordonnées se trouvent sur le panneau arrière de ce manuel.



## ASSEMBLAGE, ÉTAPE 1

### MATÉRIEL, ÉTAPE 1 :



**1**  
Boulon  
M8  
Qté: 4



**2**  
Rondelle  
élastique  
Ø8  
Qté: 4



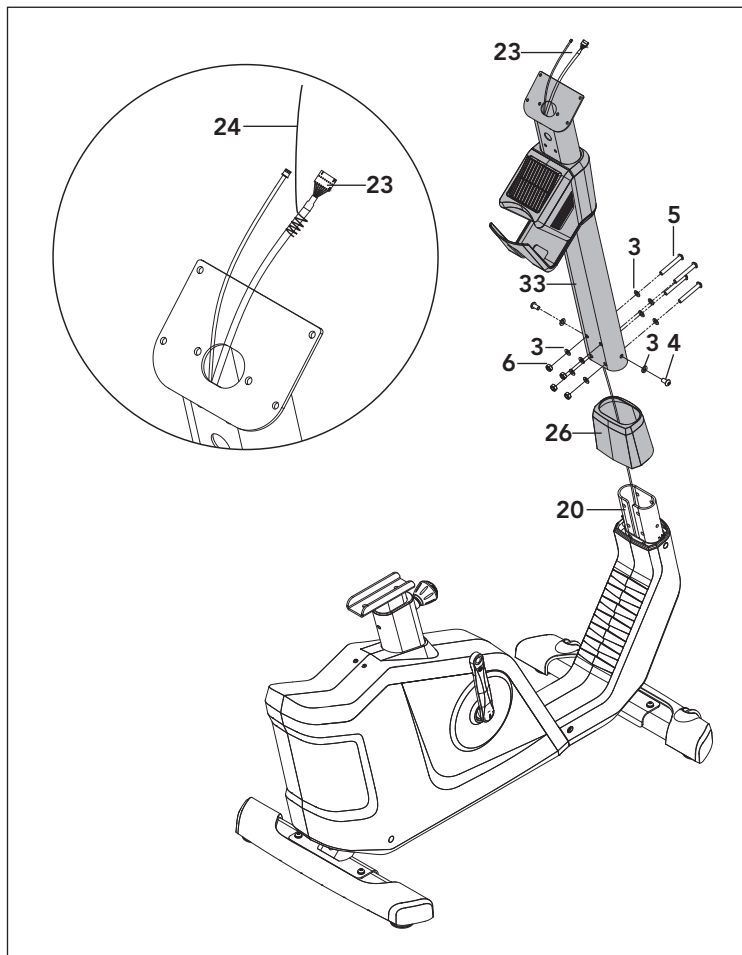
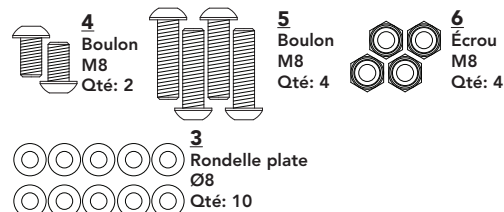
**3**  
Rondelle  
plate  
Ø8  
Qté: 4

- 1.1 Ouvrez le matériel requis pour l'**étape 1**.
- 1.2 Attachez le **stabilisateur avant (21F)** et le **stabilisateur arrière (21R)** au **cadre principal (20)** en utilisant **4 boulons (1)**, **4 rondelles élastiques (2)** et **4 rondelles plates (3)**. Serrez fermement.



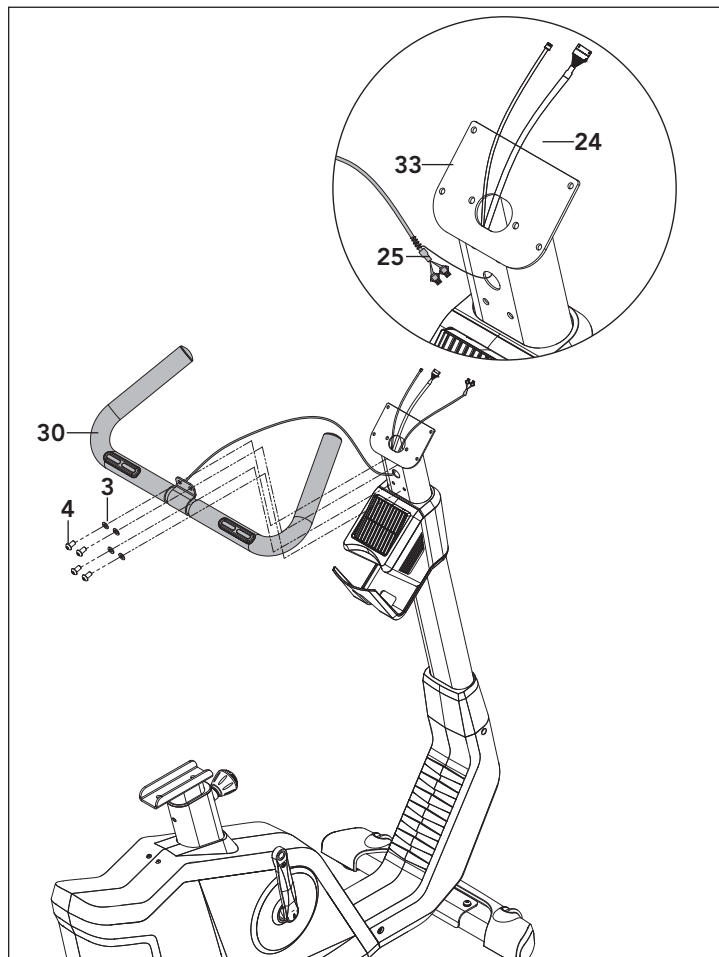
## ASSEMBLAGE, ÉTAPE 2

### MATÉRIEL, ÉTAPE 2 :



- 2.1 Fixez le **fil conducteur (24)** au **câble de la console (23)**. Tirez à travers la **protection du mât (26)** et ressortez par l'ouverture du **mât de la console (33)**.
- 2.2 Glissez la **protection du mât (26)** sur le **mât de la console (33)**.
- 2.3 Fixez le **mât de la console (33)** au **cadre principal (20)** en utilisant **6 boulons (4,5)**, **4 écrous (6)** et **10 rondelles (3)**. Serrez fermement.

**REMARQUE :** Faites attention à ne pas pincer les câbles en assemblant le mât.

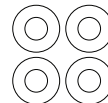


## ASSEMBLAGE, ÉTAPE 3

### MATÉRIEL, ÉTAPE 3 :



**4**  
Boulon  
M8  
Qté: 4



**3**  
Rondelle plate  
Ø8  
Qté: 4

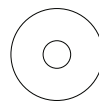
- 3.1 Ouvrez le matériel requis pour **l'étape 3**.
- 3.2 Fixez le **fil conducteur (24)** au **câble du guidon (25)** et faites passer le **câble du guidon (25)** à travers le **mât de la console (33)**.
- 3.3 Fixez **l'ensemble de guidon (30)** au **mât de la console (33)** avec **4 boulons (4)** et **4 rondelles plates (3)**.

**REMARQUE :** Faites attention à ne pas pincer les câbles en assemblant le guidon.

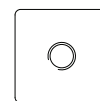


## ASSEMBLAGE, ÉTAPE 4

### MATÉRIEL, ÉTAPE 4 :



**8**  
Rondelle  
plate  
Ø10.5  
Qté: 1



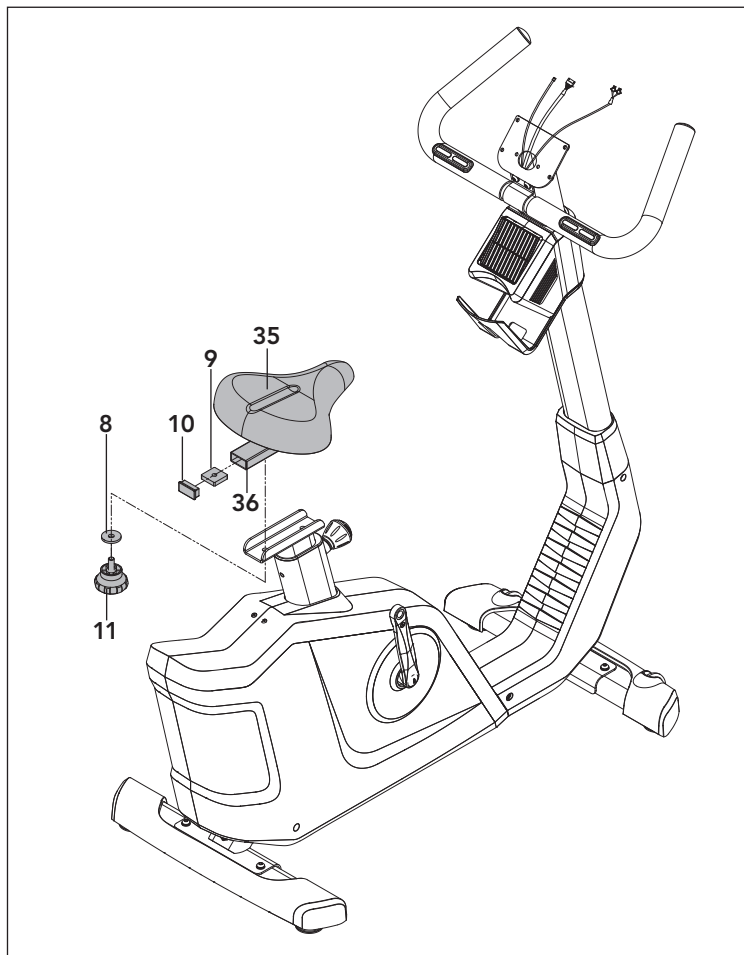
**9**  
Plaque de  
réglage  
M10  
Qté: 1



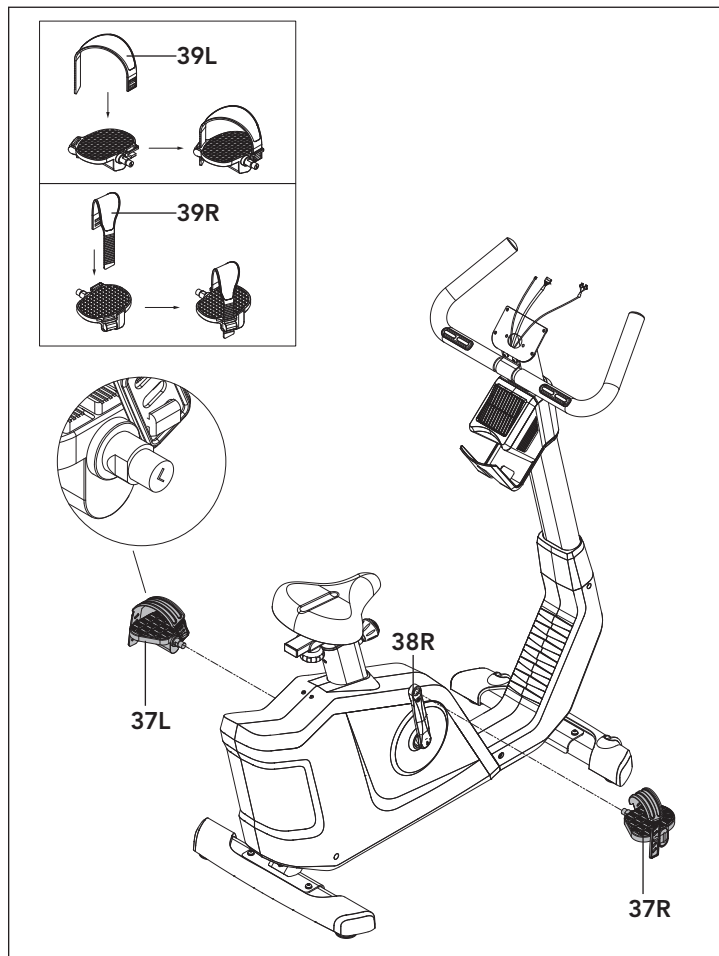
**10**  
l'embout  
Qté: 1



**11**  
Bouton d'ajustement  
du siège  
Qté: 1



- 4.1 Ouvrez le matériel requis pour l'étape 4.
- 4.2 Insérez la **plaque de réglage (9)** dans la **glissière du siège (36)**.
- 4.3 Placez le **siège (35)** avec la **plaque de réglage (9)** sur le support en U du montant du siège, puis vissez le **bouton de réglage du siège (11)** avec la **rondelle plate (8)** dans la **plaque de réglage (9)**.
- 4.4 Insérez l'**embout (10)** sur la **glissière du siège (36)**.



## ASSEMBLAGE, ÉTAPE 5

- 5.1 Identifiez la **pédale gauche (37L)** qui est étiquetée "L" sur l'axe et la **pédale droite (37R)** étiquetée "R".
- 5.2 Insérez la **Sangles de pédale gauche (39L)** dans la **pédale gauche (38L)** et la **Sangles de pédale droite (39R)** dans la **pédale droite (37R)**.
- 5.3 Insérez la **pédale gauche (37L)** dans la **manivelle gauche (38L)**, en vous assurant d'aligner le filetage des vis. Serrez en sens antihoraire.
- 5.4 Insérez la **pédale droite (37R)** dans la **manivelle droite (38R)**, en vous assurant d'aligner le filetage des vis. Serrez en sens horaire.
- 5.5 Utilisez la **clé** pour serrer à fond les pédales. Le filetage des vis ne doit pas être visible et l'axe de la pédale doit être complètement assis.

**REMARQUE :** Assurez-vous que les pédales sont **SOLIDEMENT SERRÉES** avant de les utiliser.

**REMARQUE :** Comme la manivelle gauche est fileté à l'envers, il est très important de serrer en sens antihoraire. Serrer dans le sens inverse peut endommager la pédale ou la manivelle.

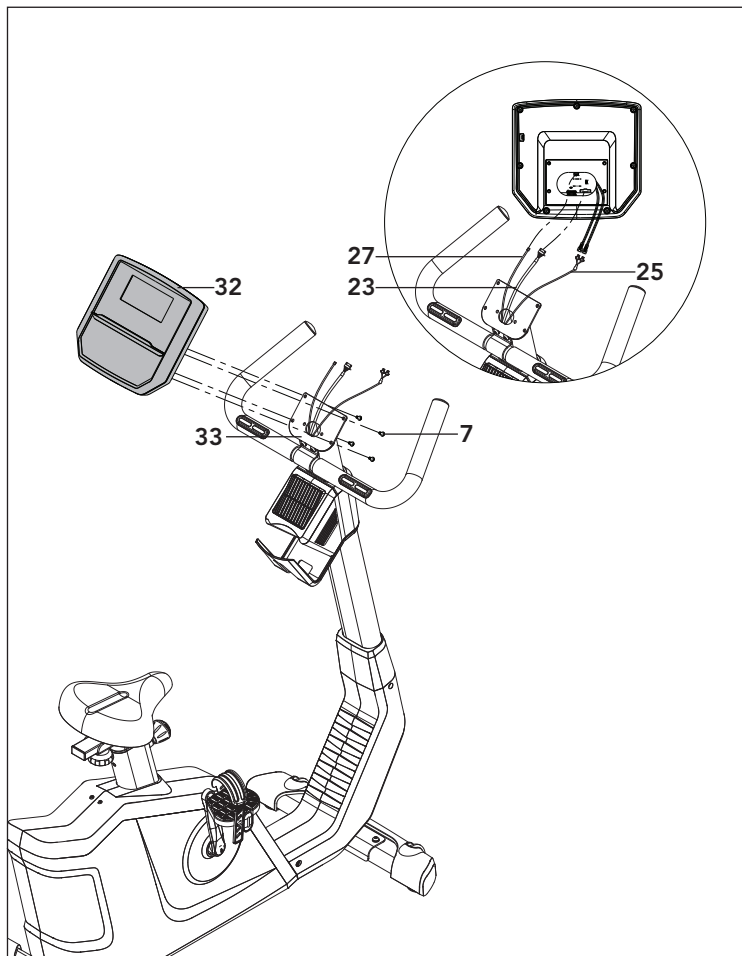


## ASSEMBLAGE, ÉTAPE 6

### MATÉRIEL, ÉTAPE 6 :

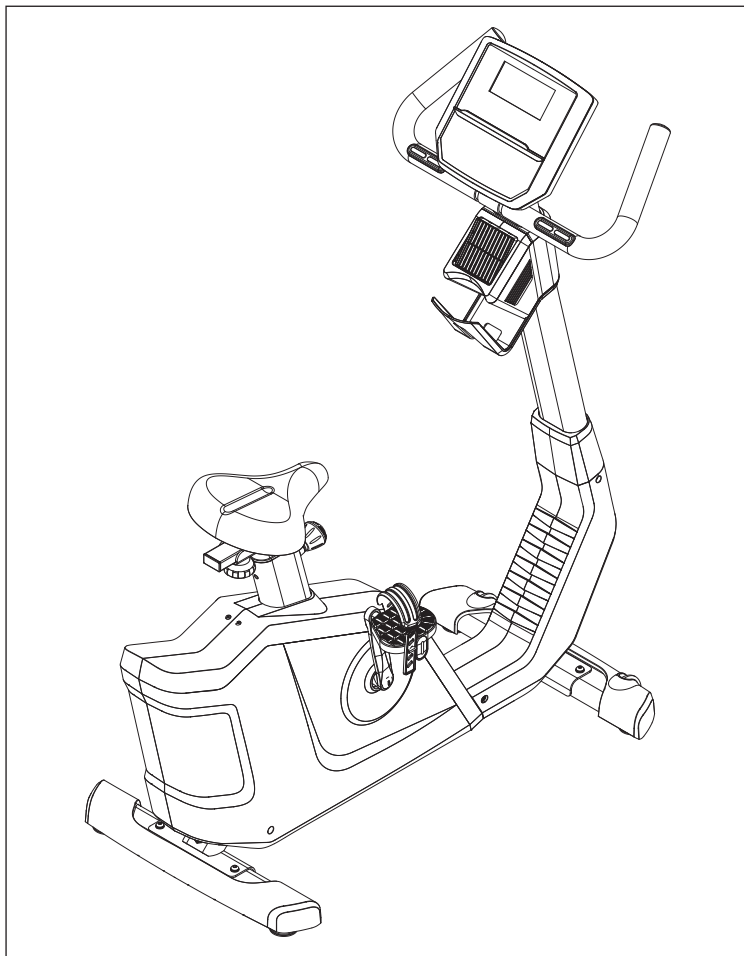


**7**  
Boulon  
M5  
Qté: 4



- 6.1 Ouvrez le matériel requis pour **l'étape 6**.
- 6.2 Fixez le **câble de la console (23)**, les **câbles du guidon (25)** et le **câble du ventilateur (27)** à la **console (32)**.
- 6.3 Rentrez soigneusement tous les câbles dans le **mât de la console (33)**.
- 6.4 Fixez la **console (32)** au **mât de la console (33)** en utilisant **4 boulons (7)**.

**REMARQUE :** Faites attention à ne pas pincer les câbles en assemblant la console.



## ASSEMBLAGE, ÉTAPE 7

### FÉLICITATIONS!

Vous avez assemblé votre vélo droit.

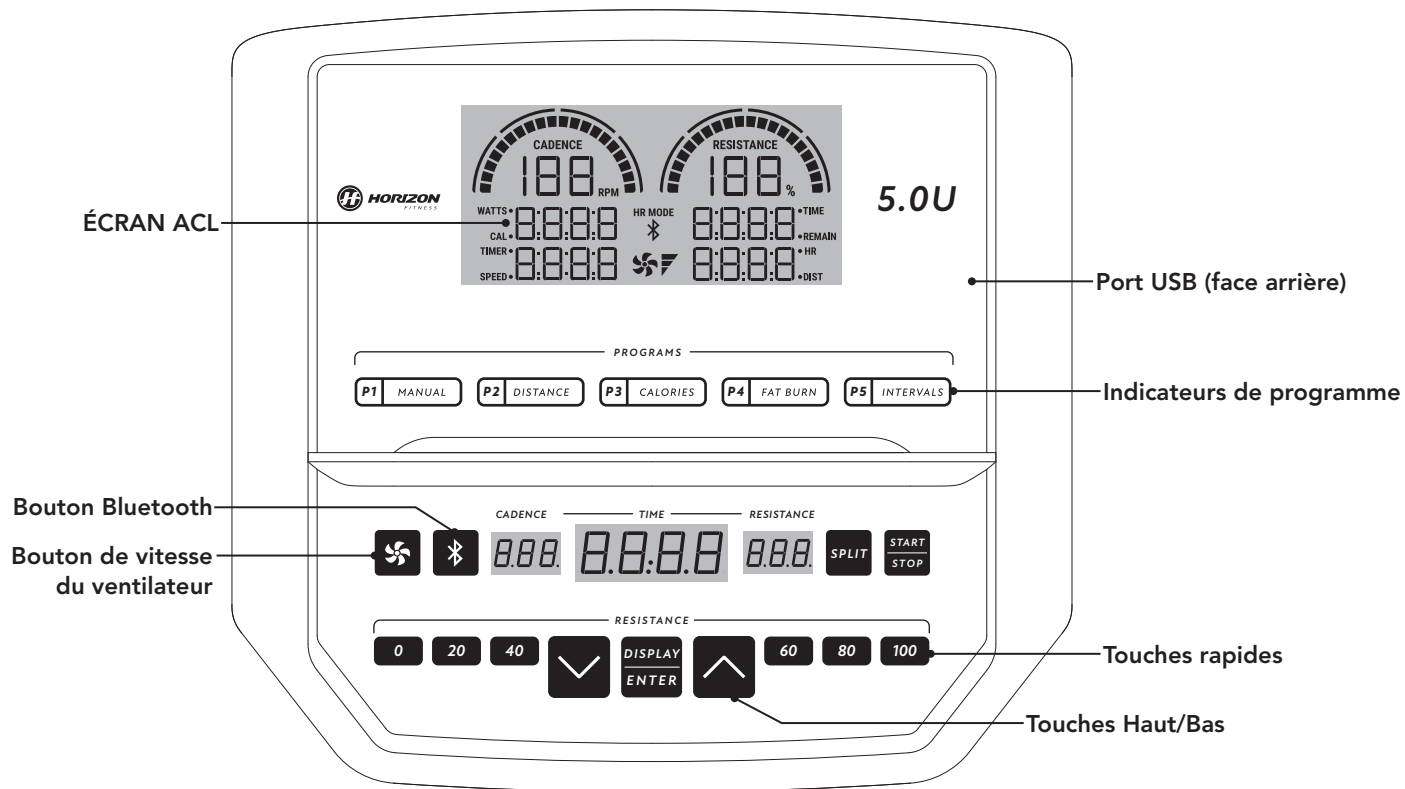




# FONCTIONNEMENT DE LA CONSOLE



## CONSOLE 5.0U



**REMARQUE :** Il y a une mince feuille protectrice de plaque sur le dessus de la console qui devrait être retirée avant l'usage.



## FONCTIONNEMENT DE LA CONSOLE 5.0U

**FENÊTRES DE L'ÉCRAN ACL:** temps, reste, distance, calories, fréquence cardiaque, chronomètre, vitesse, watts, cadence et niveau de résistance.

**INDICATEURS DE L'ÉCRAN ACL:** indique quels renseignements sont affichés.

**START:** appuyez pour commencer votre entraînement, votre programme ou reprendre votre entraînement après une pause.

**STOP:** appuyez pour mettre votre entraînement sur pause ou pour l'arrêter. Maintenez-le pendant 3 secondes pour réinitialiser la console.

**SPLIT:** appuyez sur cette touche pour réinitialiser le chronomètre à 0 seconde.

**TOUCHES HAUT/BAS:** utilisées pour ajuster le niveau de résistance.

**TOUCHES RAPIDES:** utilisées pour passer instantanément au niveau de résistance souhaité.

**AFFICHER/ENTRER:** utilisé pour confirmer une sélection. Appuyez sur cette touche pour modifier les données à l'écran pendant l'entraînement.

**BLUETOOTH:** utilisé pour connecter des appareils Bluetooth; maintenez la touche enfoncée pour passer du mode Fréquence cardiaque au mode Application.

**ENERGY SAVER:** Pour minimiser la consommation d'énergie, votre appareil passe automatiquement en mode d'économie d'énergie (ERP) lorsqu'il n'est pas utilisé et la console se réveille rapidement par simple pression sur un bouton.

**PORT USB:** pour charger uniquement, la sortie maximale est de 1A/5V.

## AFFICHAGE DE LA CONSOLE 5.0U

**TIME/REMAIN:** Montré en minutes:secondes. Visualisez le temps restant ou le temps écoulé de votre entraînement.

**FRÉQUENCE CARDIAQUE:** Montrée en BPM (battements par minute). Utilisée pour enregistrer votre fréquence cardiaque (affichée lors de l'utilisation de sangles BT HR).

**DISTANCE:** Affichée en milles. Indique la distance parcourue ou la distance restante durant votre entraînement.

**WATTS:** Indique votre cadence de pédalage à tout moment.

**CALORIES:** Total des calories brûlées ou des calories restantes à brûler pendant votre entraînement.

**TIMER:** est presque identique à TIME, mais la différence est qu'il se remet à 0 s lorsque l'utilisateur appuie sur la touche de fractionnement.

**VITESSE:** Montrée en milles par heure (MPH). Indique la vitesse du vélo sur la route.

**RÉSISTANCE:** Montre le niveau actuel de résistance.

**CADENCE:** Montrée en tours par minute (RPM). Indique la vitesse des pédales.



## RENSEIGNEMENTS SUR LES PROGRAMMES

**P1) MANUAL:** Ajustez votre résistance manuellement durant votre séance d'entraînement.

**P2) DISTANCE:** Dépassez vos limites pendant votre entraînement avec 13 entraînements de distance. Choisissez parmi les objectifs suivants : 1 mille, 2 milles, 5 km, 5 milles, 10 km, 8 milles, 15 km, 10 milles, 20 km, semi-marathon, 15 milles, 20 milles et marathon.

**P3) CALORIES:** Établissez des objectifs pour brûler des calories.

**P4) FAT BURN:** Un entraînement conçu spécialement pour cibler le gras. Encourage la perte de poids en augmentant et en réduisant la résistance tout en vous gardant dans votre zone brûle-graisse. Comprend 10 niveaux.

**P5) INTERVALS:** Améliore votre force, votre vitesse et votre endurance en augmentant et en diminuant la résistance tout au long de votre entraînement afin de solliciter votre cœur et d'autres muscles. Comprend 10 niveaux.



## COMMENCER

1. Assurez-vous qu'aucun objet pouvant gêner le mouvement du vélo ne se trouve à proximité.
2. Branchez le câble d'alimentation.

REMARQUE : Le vélo n'a pas de bouton d'alimentation et se mettra en marche lorsque le courant sera fourni.

## DÉMARRAGE RAPIDE

Appuyez simplement sur la touche START pour commencer votre entraînement. Le temps sera décompté à partir de 0:00, le niveau de résistance sera par défaut le niveau 0. OU...

## SÉLECTIONNEZ UN ENTRAÎNEMENT OU UN OBJECTIF

1. Sélectionnez votre PROGRAM à l'aide des boutons Haut/Bas et appuyez sur ENTER lorsque le programme de votre choix est affiché.
2. Ajustez le SETTING à l'aide des boutons Haut/Bas et appuyez sur ENTER lorsque le SETTING de votre choix est affiché.
3. Appuyez sur START pour commencer.

REMARQUE : Si aucun WORKOUT n'est sélectionné, le programme fonctionnera en mode manuel. Tous les changements de résistance devront être faits par l'utilisateur.

## POUR RÉINITIALISER LA CONSOLE

Tenez la touche STOP pendant trois secondes.

## TERMINER VOTRE ENTRAÎNEMENT

Une fois votre entraînement terminé, l'écran du moniteur émettra un son. Les renseignements concernant votre entraînement s'afficheront sur la console pendant 30 secondes avant de se réinitialiser.

## EFFACER LA SÉLECTION COURANTE


Pour effacer la sélection courante du programme ou de l'écran, maintenez la touche STOP pendant trois secondes.



## COMMENT BASCULER ENTRE LE MODE APP ET LE MODE BT RYTHME CARDIAQUE

### Accueil- P1

#### Connexion à une application (mode par défaut)

Si vous utilisez une application tierce, veuillez activer le Bluetooth (BT) de votre appareil et suivre les instructions d'appairage de l'application. Assurez-vous que la console du vélo n'est pas connectée à d'autres appareils Bluetooth en vérifiant que le symbole BT  n'est pas allumé sur la console.

Si vous souhaitez utiliser la sangle BT HR avec une application tierce, connectez-vous à la sangle de FC à partir de l'interface de l'application (suivez les instructions de l'application pour trouver et vous connecter à la sangle BT HR).

Suivez les instructions de l'application tierce pour lancer le programme. Certaines exigent que vous démarriez depuis l'application, d'autres que vous appuyiez d'abord sur le bouton **Start** de la console.

Pour arrêter la séance d'entraînement, mettez fin à la course dans l'application et appuyez sur le bouton **Stop** de la console pendant 3 secondes.

### HORIZON SYSTÈME DE FITNESS CONNECTÉ

Votre machine Horizon est compatible Bluetooth, ce qui vous permet d'utiliser la technologie Bluetooth 4.0 pour connecter sans fil votre appareil et d'autres applications à machine Horizon. Pour une liste complète des applications de fitness tierces compatibles avec votre machine Horizon, suivez le lien ci-dessous :


<http://horizonfit.co/5-0U>



#### Connexion à la sangle BT HR (désactivé par défaut)

Pour accéder au **mode HR Strap**, assurez-vous que la console n'est pas actuellement connectée à un appareil Bluetooth (BT) en vérifiant qu'aucun symbole BT  n'est affiché sur la console.

Si vous portez la sangle BT HR, assurez-vous de lire les instructions de la sangle. Remarque : Certaines sangles BT HR doivent être humides pour lire la fréquence cardiaque avec précision.

Appuyez sur le bouton Bluetooth et maintenez-le pendant quelques secondes, jusqu'à ce que le symbole HR MODE s'affiche sur le coin droit de l'écran ACL. Une fois que la console a détecté la sangle BT HR, le symbole BT  s'affiche sur l'écran à DEL.

Appuyez sur **Start** pour commencer une séance d'entraînement et la console devrait afficher la fréquence cardiaque.

Pour quitter le mode HR Strap, déconnectez le dispositif BT HR et assurez-vous que le symbole BT disparaît de l'écran. Appuyez ensuite sur le bouton Bluetooth et maintenez-le enfoncé pendant quelques secondes jusqu'à ce que « HR MODE » disparaisse de l'écran à DEL. REMARQUE : il faut quelques secondes pour que le Bluetooth se déconnecte de la console.



# RÉSOLUTION DE PROBLÈMES ET ENTRETIEN



## QUESTIONS COURANTES SUR LE PRODUIT

### EST-CE QUE LES SONS QUE FAIT MON VÉLO DROIT SONT NORMAUX?

Nos vélo droits sont parmi les plus silencieux du marché, car ils utilisent des courroies et des freins à résistance magnétique. Nous utilisons des roulements et des chaînes/courroies de la plus haute qualité pour minimiser le bruit. Cependant, comme le système de résistance lui-même est très silencieux, vous entendrez occasionnellement d'autres légers bruits mécaniques. Contrairement aux technologies plus anciennes et plus bruyantes, il n'y a pas de ventilateur, de courroie de friction ou d'alternateur pour masquer ces bruits sur nos vélo droits. Ces bruits mécaniques, qui peuvent être intermittents ou non, sont normaux et sont causés par le transfert de quantités importantes d'énergie à un volant d'inertie qui tourne rapidement. Tous les roulements, chaînes/courroies et autres pièces rotatives génèrent un certain bruit qui est transmis par le boîtier et le cadre. Il est également normal que ces bruits changent légèrement au cours d'une séance d'entraînement et avec le temps en raison de la dilatation thermique des pièces.

### POURQUOI LE VÉLO DROIT QUE J'AI REÇU EST-IL PLUS BRUYANT QUE CELUI DU MAGASIN?

Tous les produits d'entraînement physique semblent plus silencieux dans la salle d'exposition d'un grand magasin, car le bruit de fond y est généralement plus important qu'à votre domicile. De plus, il y a moins de réverbération sur un sol en béton recouvert de tapis que sur un sol en bois. Parfois, un tapis en caoutchouc épais peut aider à réduire la réverbération qui se produit sur le plancher. Si un appareil d'exercice physique est placé près d'un mur, il y aura davantage de réverbération.

### COMBIEN DE TEMPS DURERA LA COURROIE?

Selon la simulation par ordinateur que nous avons faite, la courroie durera pendant des milliers d'heures sans devoir être entretenue. Il est possible que vous ne remplaciez jamais la courroie pendant que vous aurez le vélo droit.

### PUIS-JE DÉPLACER LE VÉLO DROIT FACILEMENT UNE FOIS QU'IL EST ASSEMBLÉ?

Votre vélo droit possède une paire de roues de transport situées dans le tube du stabiliseur avant. Veuillez consulter la section sur le déplacement du vélo droit pour transporter votre vélo droit. Il est important que vous placiez votre vélo droit dans une pièce confortable et accueillante. Votre vélo droit est conçu pour prendre un minimum d'espace de plancher. Plusieurs personnes placent leur vélo droit devant la télévision ou devant une fenêtre. Dans la mesure du possible, évitez de mettre votre vélo droit dans un sous-sol non fini. Afin de rendre l'activité physique agréable pour vous, votre vélo droit devrait être dans un environnement confortable.





## RÉSOLUTION DE PROBLÈMES

**PROBLÈME :** Le vélo droit émet un son de couinement.

**SOLUTION :** Vérifiez les éléments suivants :

- Le vélo droit est sur une surface bien horizontale.
- Relâchez tous les boulons installés durant le processus d'assemblage, graissez les filets et resserrez-les.

Si cela ne règle pas le problème, vous pouvez  
COMMUNIQUER AVEC LE SERVICE À LA CLIENTÈLE AU NUMÉRO INDIQUÉ SUR LE PANNEAU ARRIÈRE.

Lors de votre appel, on pourrait vous demander les renseignements suivants. Ayez à portée de main :

- Nom du modèle
- Numéro de série
- Preuve d'achat (reçu ou énoncé de carte de crédit)

Vous pouvez trouver d'autres suggestions de dépannage dans la section d'assistance à la clientèle de notre site web. Communiquez avec le service à la clientèle en utilisant les coordonnées figurant sur le PANNEAU ARRIÈRE.

Pour que l'assistance technique à la clientèle puisse réparer votre vélo droit, elle devra peut-être poser des questions détaillées sur les symptômes qui se produisent. Voici quelques questions de dépannage qui peuvent être posées :

- Depuis combien de temps ce problème dure-t-il?
- Ce problème survient-il à chaque utilisation? Avec chaque utilisateur?
- Si vous entendez un son, vient-il de l'avant ou de l'arrière? De quel type de puis s'agit-il (martèlement, grincement, couinement, crissement, etc.)?
- L'appareil a-t-il été lubrifié et entretenu conformément au calendrier d'entretien? L'appareil a-t-il été lubrifié et entretenu conformément au calendrier d'entretien?

En répondant à ces questions et à d'autres, les techniciens seront en mesure d'envoyer les pièces de rechange adéquates et le service nécessaire pour que remettre votre vélo droit (et vous!) en pleine forme.



## ENTRETIEN

### Quel type d'entretien de routine est requis?

Un entretien et un nettoyage minimaux sont requis. Nous utilisons des roulements étanches sur l'ensemble de nos vélos, de sorte que la lubrification n'est pas nécessaire. L'étape d'entretien la plus importante consiste simplement à essuyer votre transpiration sur le vélo après chaque utilisation.

### Comment dois-je nettoyer mon vélo?

Nettoyez-le avec des nettoyeurs faits d'eau et de savon doux seulement. N'utilisez jamais de solvants sur les pièces en plastique. La propreté de votre vélo et de son environnement d'utilisation permettra de réduire au minimum les problèmes d'entretien et les appels de service. C'est pourquoi nous vous recommandons de suivre le programme d'entretien préventif suivant.

## HORAIRE D'ENTRETIEN

### APRÈS CHAQUE UTILISATION

Nettoyez le vélo droit en utilisant des tissus doux ou des essuie-tout ou d'autres agents doux (les agents nettoyeurs devraient être sans alcool et sans ammoniaque). Désinfectez la selle et le guidon et essuyez tout résidu corporel.

### AVANT CHAQUE UTILISATION

Assurez-vous que le vélo droit est bien horizontal et qu'il ne se balance pas. Assurez-vous que les pédales sont fixées dans les manivelles et qu'elles ne sont pas filetées en travers, que toutes les vis des pédales sont bien serrées et que les sangles des pédales ne sont pas effilochées.

### TOUS LES MOIS

Inspectez tous les boulons d'assemblage et des pédales sur l'appareil afin de vous assurer qu'ils sont correctement fixés. Le respect de ce calendrier prolongera la durée de vie de votre appareil.



# GARANTIE LIMITÉE SUR L'USAGE À DOMICILE



**CAPACITÉ DE MASSE = 136 kg (300 lb)**

### **CADRE • À VIE**

Le fabricant garantit le cadre contre les défauts de fabrication et de matériaux pour la période indiquée ci-dessus à partir de la date d'achat, tant que l'appareil reste en possession du propriétaire initial. (Le cadre est défini comme étant la base métallique soudée de l'appareil et ne comprend pas les pièces qui peuvent être retirées).

### **PIÈCES ET ÉLECTRONIQUE • 1 AN**

Le fabricant garantit les composants électroniques, la finition et toutes les pièces d'origine pour une période indiquée ci-dessus à partir de la date d'achat initiale, tant que l'appareil reste en possession du propriétaire initial.

### **MAIN D'ŒUVRE • 1 AN**

Le fabricant couvre les frais de main-d'œuvre pour la réparation de l'appareil pendant une période indiquée ci-dessus à partir de la date d'achat initiale, tant que l'appareil reste en possession du propriétaire initial.

## **EXCLUSIONS ET LIMITES**

Qui EST couvert :

- Le propriétaire original, sans possibilité de transfert.

Ce qui EST couvert :

- La réparation ou le remplacement d'un moteur défectueux, d'un composant électronique ou d'une pièce défectueuse est le seul recours de la garantie.

Ce qui N'EST PAS couvert :

- L'usure normale, l'assemblage ou l'entretien inadéquat, ou l'installation de pièces ou d'accessoires non prévus à l'origine ou non compatibles avec l'équipement tel que vendu.
- Dommages ou défaillances dus à un accident, à un abus, à la corrosion, à la décoloration de la peinture ou du plastique, à la négligence, au vol, au vandalisme, au feu, à une inondation, au vent, à la foudre, au gel ou à toute autre catastrophe naturelle de quelque nature que ce soit, à une réduction, une fluctuation ou une défaillance de l'alimentation quelle qu'en soit la cause, à des conditions atmosphériques inhabituelles, à une collision, à l'introduction d'objets étrangers dans l'unité couverte ou à des modifications non autorisées ou non recommandées par le fabricant.
- Dommages accidentels ou consécutifs. Le fabricant n'est pas responsable des dommages indirects, spéciaux ou consécutifs, des pertes économiques, de la perte de biens ou de profits, de la perte de jouissance ou d'utilisation, ou d'autres dommages consécutifs de quelque nature que ce soit en rapport avec l'achat, l'utilisation, la réparation ou l'entretien de l'équipement. Le fabricant n'offre aucune



compensation monétaire ou autre pour de telles réparations ou le coût des pièces de rechange, y compris, mais sans s'y limiter, les frais d'adhésion à un centre de conditionnement physique, le temps de travail perdu, les visites de diagnostic, les visites d'entretien ou le transport.

- L'équipement utilisé à des fins commerciales ou à des fins autres que celles d'une seule famille ou d'un ménage, à moins que le fabricant n'ait approuvé la couverture.
- L'équipement possédé ou utilisé en dehors des États-Unis et du Canada.
- La livraison, l'assemblage, l'installation, la configuration des unités d'origine ou de remplacement ou la main-d'œuvre ou les autres coûts associés à la dépose ou au remplacement de l'unité couverte.
- Toute tentative de réparation de cet équipement crée un risque de blessure. Le fabricant n'est pas responsable de tout dommage, perte ou responsabilité découlant de toute blessure corporelle survenue au cours ou à la suite d'une réparation ou d'une tentative de réparation de votre équipement de conditionnement physique par une personne autre qu'un technicien de service autorisé. Toutes les réparations que vous tentez d'effectuer sur votre appareil sont effectuées à VOS PROPRES RISQUES et le fabricant ne peut être tenu responsable de tout dommage corporel ou matériel résultant de ces réparations.
- Si vous n'êtes plus couvert par la garantie du fabricant, mais que vous bénéficiez d'une extension de garantie, reportez-vous à votre contrat d'extension de garantie pour connaître les coordonnées des personnes avec lesquelles communiquer en cas de demande d'extension de garantie ou de réparation.

## SERVICE/RETOURS

- Le service à domicile est disponible dans un rayon de 240 km (150 milles) autour du centre de service agréé le plus proche (le kilométrage au-delà de 240 km [150 milles] d'un centre de service agréé est à la charge du consommateur).
- Tous les retours doivent être autorisés au préalable par le fabricant.
- L'obligation du fabricant dans le cadre de cette garantie est limitée au remplacement ou à la réparation, au choix du fabricant, du même modèle ou d'un modèle comparable.
- Le fabricant peut demander que les composants défectueux lui soient retournés à la fin du service de garantie en utilisant une étiquette de retour prépayée. Si on vous a conseillé de renvoyer des pièces et que vous n'avez pas reçu d'étiquette, veuillez communiquer avec le service d'assistance technique à la clientèle.
- Les unités de remplacement, les pièces et les composants électroniques remis à l'état neuf par le fabricant ou ses fournisseurs peuvent parfois être fournis en tant que remplacement sous garantie et constituent le respect des conditions de la garantie.
- Cette garantie vous donne des droits légaux spécifiques, et vos droits peuvent varier d'un état à l'autre.



# ESPAÑOL



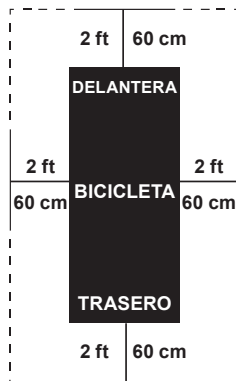
# OPERACIÓN DE LA BICICLETA VERTICAL



## CÓMO MOVER LA BICICLETA VERTICAL

Debido al peso de la bicicleta vertical, se recomienda que dos personas la muevan. Mientras una persona levanta la parte trasera de la bicicleta vertical, la segunda agarra firmemente el manubrio y la inclina hacia delante hasta que ruede sobre las ruedas. Cuidadosamente, mueva la bicicleta vertical al lugar deseado y luego bájela.

Si luego de colocarla, la bicicleta vertical se mece en el piso, gire las pata niveladoras que están debajo del estabilizador delantero o trasero hasta eliminar el balanceo.

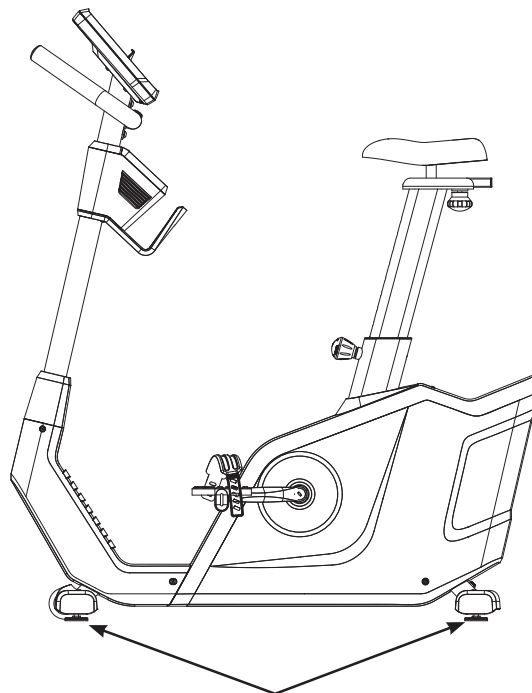


## UBICACIÓN DE LA BICICLETA VERTICAL

Coloque la bicicleta vertical sobre una superficie nivelada. Debe haber un espacio libre de 60 cm (24") alrededor de cada lado de la bicicleta vertical. No coloque la bicicleta en lugares que puedan bloquear ventilas o entradas de aire. La bicicleta vertical no se debe colocar en garajes, patios cubiertos, cerca de agua, ni en exteriores.

## ⚠️ ADVERTENCIA

Para reducir el riesgo de lesiones, tenga mucha precaución al mover la bicicleta vertical. No intente moverla sobre superficies irregulares, y asegúrese de que haya un espacio libre mínimo de 60 cm (24") en todos los lados del equipo.



Patas Niveladoras





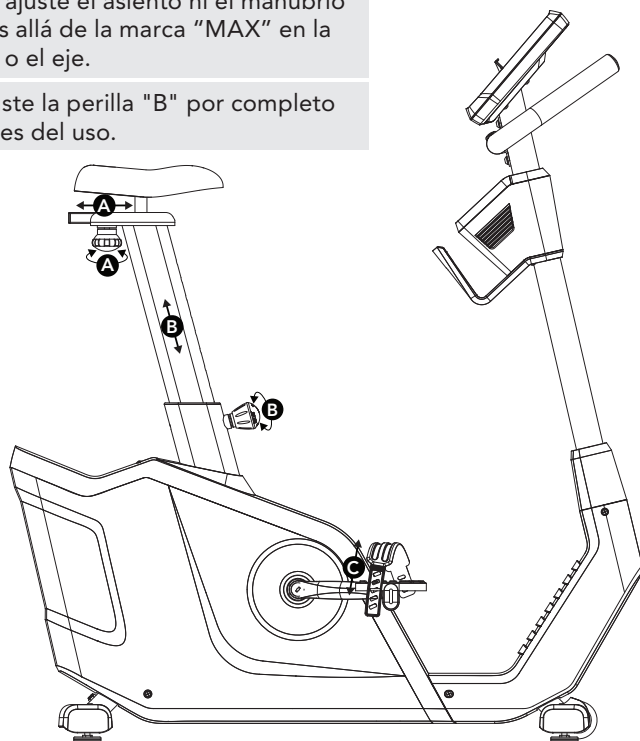
## CÓMO AJUSTAR LA BICICLETA VERTICAL

La bicicleta vertical se puede ajustar para máxima comodidad y efectividad del ejercicio. Las siguientes instrucciones describen una manera para ajustar la bicicleta vertical y asegurar la comodidad óptima del usuario y el posicionamiento ideal del cuerpo. Puede elegir ajustarla de otra manera.

### **⚠ ADVERTENCIA**

No ajuste el asiento ni el manubrio más allá de la marca "MAX" en la tija o el eje.

Ajuste la perilla "B" por completo antes del uso.



### **AJUSTE DEL ASIENTO**

El ajuste correcto del asiento y el manubrio ayuda a garantizar la máxima eficacia y comodidad durante el ejercicio, reduciendo a la vez el riesgo de lesiones. Ajuste la altura del asiento asegurándose de que quede en posición correcta: que mantenga la rodilla ligeramente doblada al tener las piernas extendidas.

### **AJUSTE DEL MANILLAR**

El manubrio se ajusta en la posición adecuada principalmente para la comodidad. Por lo general, para los ciclistas principiantes el manubrio debe estar posicionado ligeramente más alto que el sillín. Los ciclistas avanzados pueden probar diferentes alturas y largos para lograr la configuración más adecuada.

#### **A. Posición horizontal del asiento**

Rote la perilla de ajuste hacia la izquierda para deslizar el asiento hacia adelante o hacia atrás, según lo desee. Rote la perilla hacia la derecha para bloquear la posición. Pruebe que el deslizador del asiento funcione correctamente.

#### **B. Altura del asiento**

Gire la perilla de ajuste hacia la izquierda y ajuste el asiento en la posición en que pueda pedalear cómodamente. Rote la perilla hacia la derecha para bloquear la posición del asiento.

#### **C. Correas de pedales**

Coloque la parte delantera del pie en la correa hasta que esté centrada sobre el pedal; tome la correa del pedal y ajústela antes de usarla. Para sacar el pie de la correa, aflójela y sáquelo.



## **ADVERTENCIA**

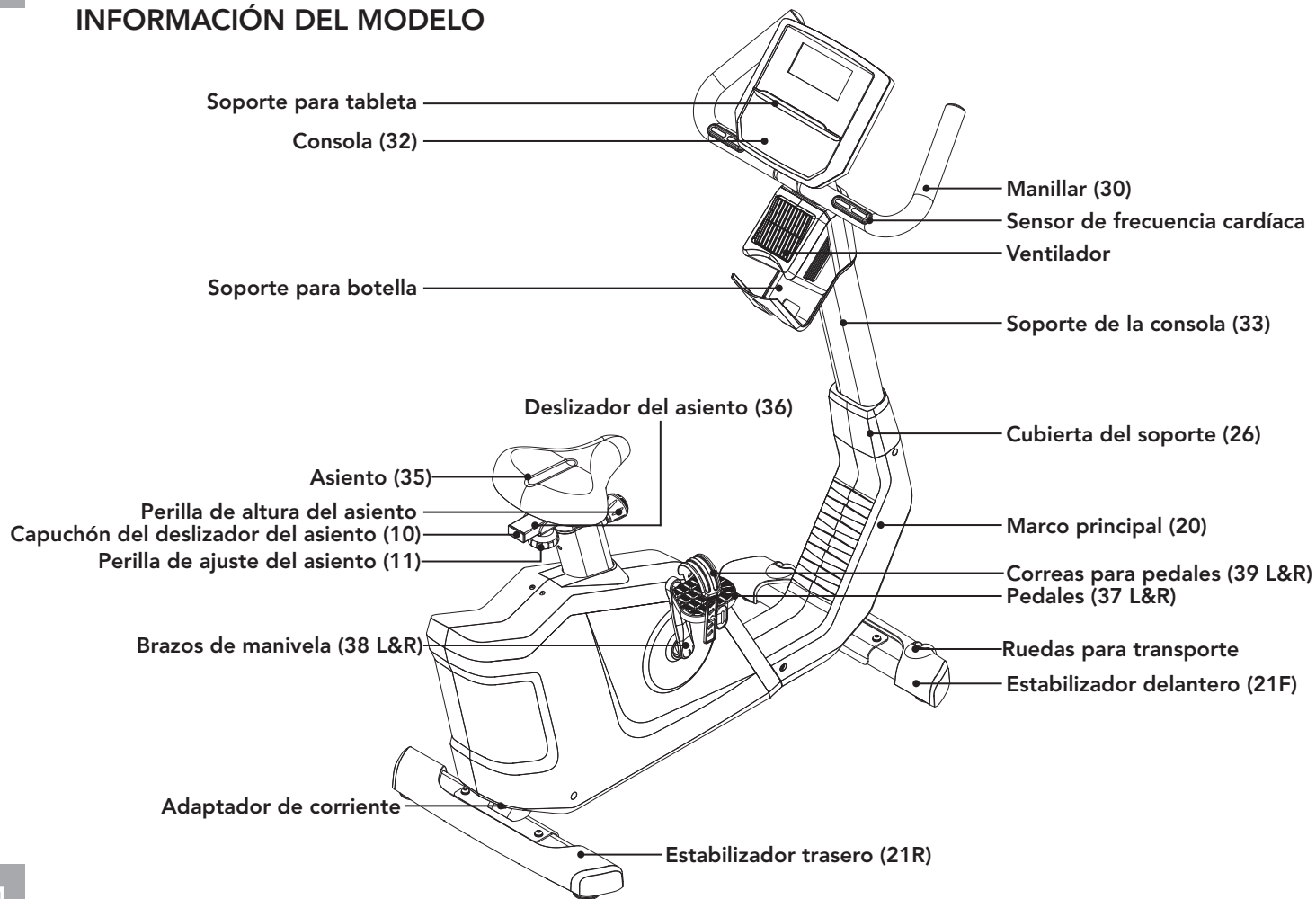
**LEA Y GUARDE TODAS LAS INSTRUCCIONES ANTES DE ENSAMBLAR O UTILIZAR ESTA BICICLETA VERTICAL. SE RECOMIENDA ENCARECIDAMENTE SEGUIR LAS SIGUIENTES INSTRUCCIONES DE SEGURIDAD.**

- **PRECAUCIÓN:** Si experimenta dolores en el pecho, náuseas, mareos o dificultad para respirar, deje de hacer ejercicio inmediatamente y consulte a su médico antes de continuar.
- Utilice esta bicicleta vertical para los fines previstos, tal y como se describe en este manual. No utilice accesorios no recomendados por el fabricante.
- Nunca utilice la bicicleta vertical si no está funcionando correctamente o si ha sufrido daños. Póngase en contacto con Asistencia técnica al consumidor o con los distribuidores autorizados para su evaluación y reparación.
- No utilice la bicicleta vertical sin el calzado adecuado. **NUNCA** utilice la bicicleta vertical descalzo.
- No utilice ropa que pueda engancharse en las partes móviles de la bicicleta vertical.
- Mantenga las manos y los pies alejados en todo momento de las piezas en movimiento para evitar lesiones. Nunca gire las manivelas de los pedales con la mano.
- No se baje de la bicicleta vertical hasta que los pedales estén completamente **DETENIDOS**.
- No intente montar la bicicleta vertical de pie a altas revoluciones por minuto hasta que haya practicado a velocidades más lentas.
- No introduzca ningún objeto, manos o pies en ninguna abertura, ni exponga las manos, brazos o pies al mecanismo de accionamiento u otras partes potencialmente móviles de la bicicleta vertical.
- No utilice ningún equipo que esté dañado o tenga piezas gastadas o rotas. Utilice únicamente piezas de repuesto suministradas por Asistencia técnica al consumidor o distribuidores autorizados.
- No la utilice donde se estén usando productos en aerosol (spray) o cuando se esté administrando oxígeno.
- Es necesaria una cuidadosa supervisión cuando se utiliza cerca de niños, personas incapacitadas o con alguna discapacidad.
- Cuando se utilice la bicicleta vertical, los niños pequeños y los animales domésticos deben mantenerse a una distancia mínima de 3 metros / 10 pies.
- Asegúrese de que las perillas de ajuste (asiento y manillar hacia delante y hacia atrás) estén bien sujetas y no interfieran con la amplitud de movimiento durante el ejercicio.





## INFORMACIÓN DEL MODELO





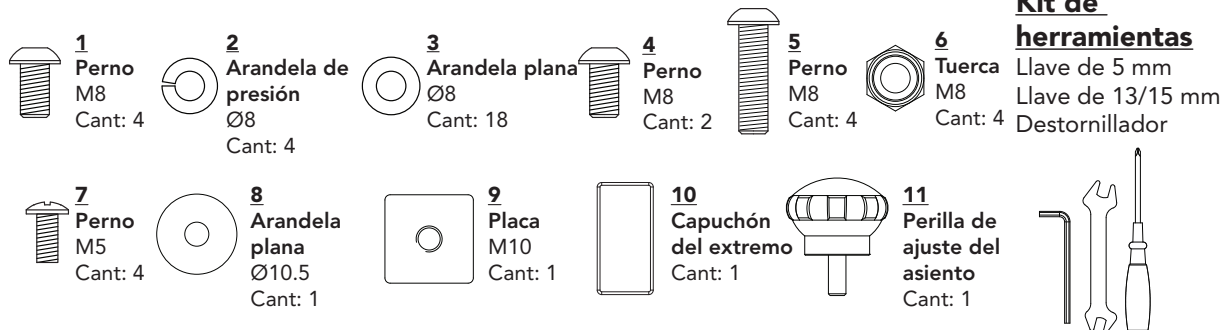
## PARTES PRINCIPALES INCLUIDAS:

- Marco principal (20)
- Estabilizador delantero (21F)
- Estabilizador trasero (21R)
- Manillar (30)
- Cubierta del soporte (26)
- Consola (32)
- Soporte de la consola (33)
- Pedales (37&39 L&R)
- Poste del asiento (10,11,35,36)
- Adaptador de corriente

## PIEZAS INCLUIDAS EN EL EMPAQUE:

- 1 Kit de tornillería
- 1 Manual del usuario

## KIT DE TORNILLERÍA:



## ANTES DE ENSAMBLAR

### DESEMPACAR

Debido al peso de la bicicleta vertical, **se recomienda que dos personas realicen el ensamblaje**. Desempaque el producto en el lugar donde lo va a utilizar. Se recomienda que cubra el piso con un elemento protector. Coloque el cartón en una superficie plana y retire todos los materiales de embalaje: no los deseche hasta terminar de ensamblar la bicicleta.

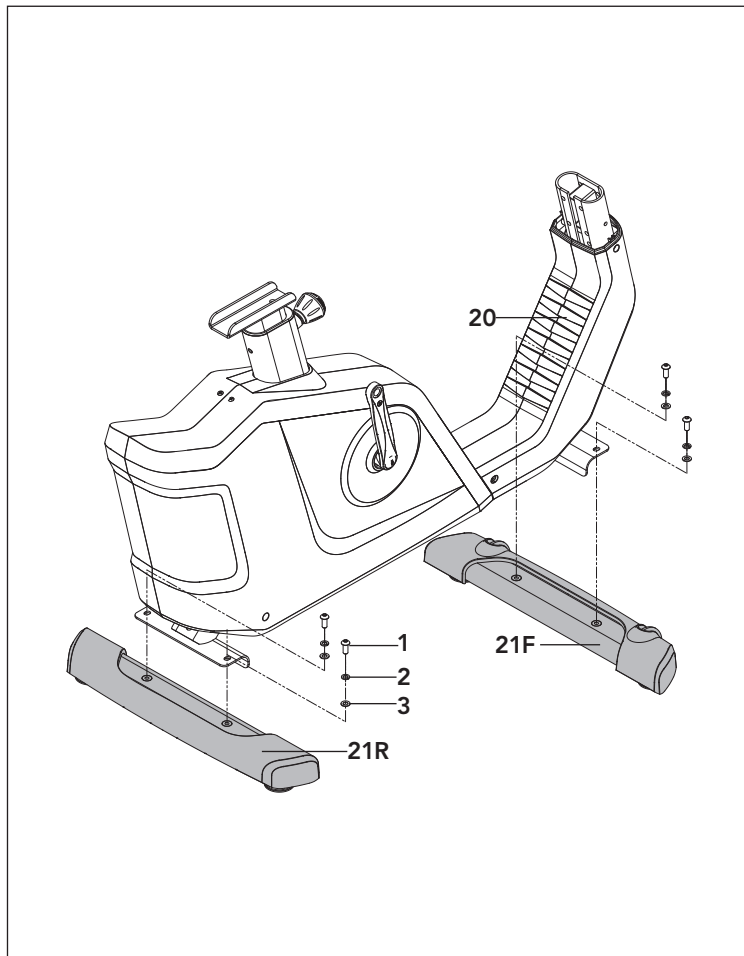
**NOTA:** Durante cada uno de los pasos del ensamblaje, asegúrese de que **TODAS** las tuercas y pernos estén en su lugar y parcialmente enroscados antes de apretar **NINGÚN** perno

**NOTA:** Aplicar una capa de grasa ligera puede ayudar a instalar las piezas. Se recomienda usar cualquier grasa, como grasa de litio para bicicletas.



**¿NECESITAS AYUDA?**

Si tiene preguntas o faltan piezas, comuníquese con Asistencia Técnica al Cliente. La información de contacto está en la contraportada de este manual.



## PASO DE ENSAMBLAJE 1

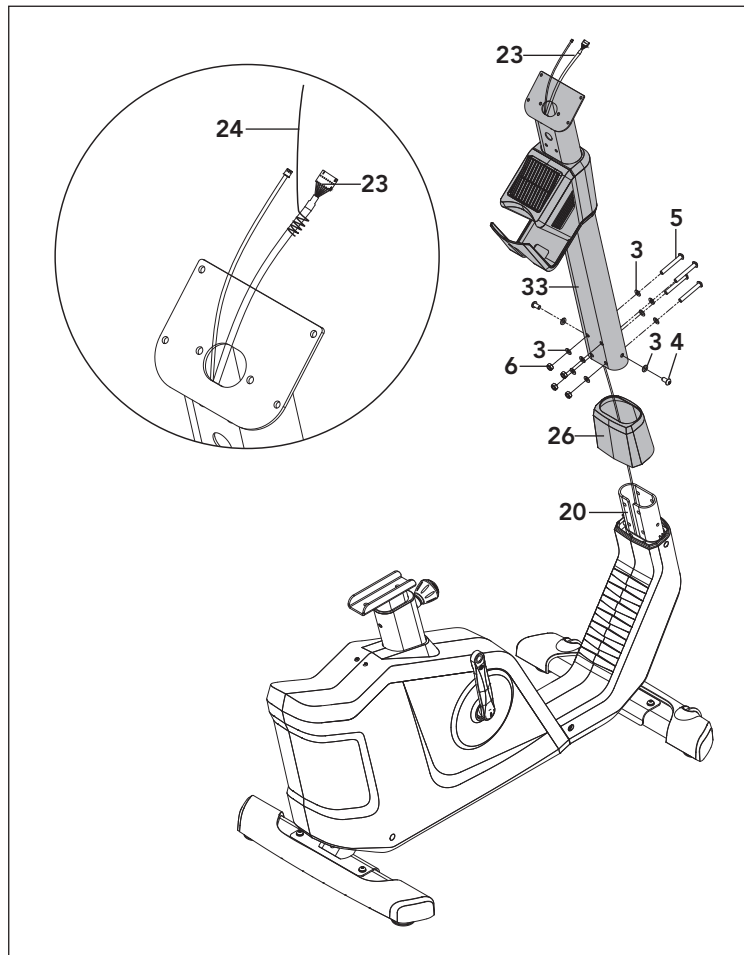
### PASO 1. TORNILLERÍA:



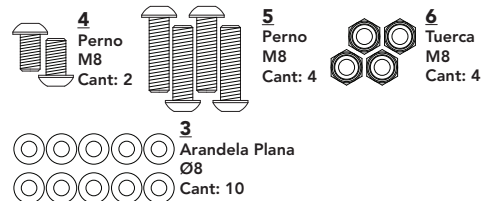
- 1.1 Abra la tornillería para el **Paso 1**.
- 1.2 Fije el **estabilizador delantero (21F)** y el **trasero (21R)** al **armazón principal (20)** usando los **4 pernos (1)**, las **4 arandelas de presión (2)** y las **4 arandelas planas (3)**. Ajuste firmemente.



## PASO DE ENSAMBLAJE 2

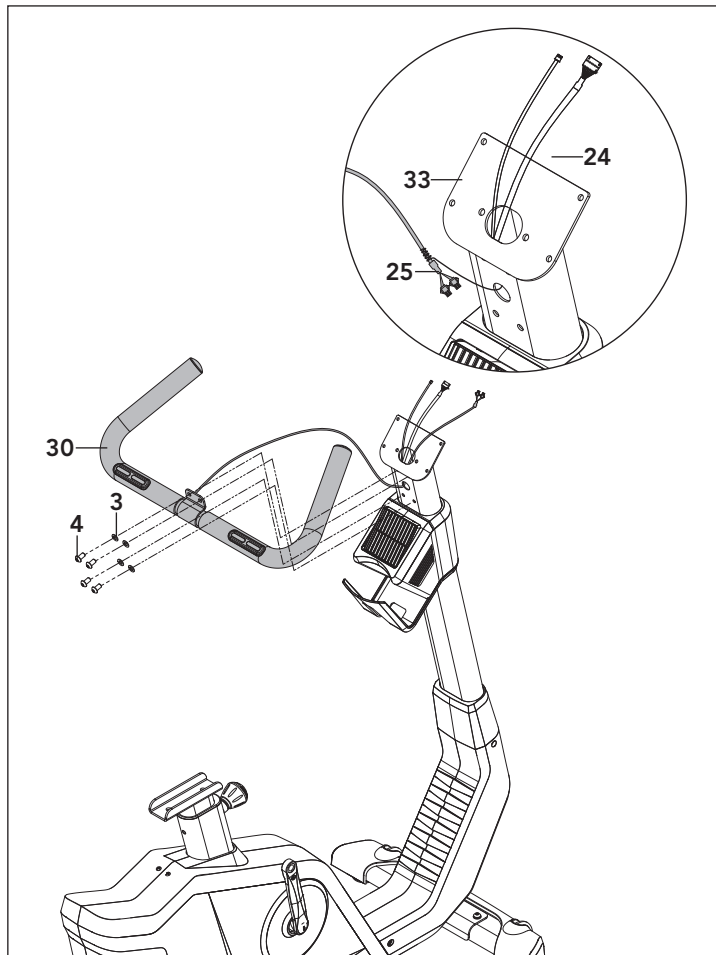


### PASO 2. TORNILLERÍA:



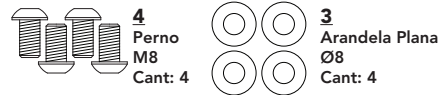
- 2.1 Conecte el **cable conductor (24)** al **cable de la consola (23)**. Tire a través de la **cubierta del soporte (26)** y hacia fuera de la abertura del **soporte de la consola (33)**.
- 2.2 Deslice la **cubierta del soporte (26)** sobre el **soporte de la consola (33)**.
- 2.3 Fije el **soporte de la consola (33)** al **armazón principal (20)** utilizando **6 pernos (4,5)**, **4 tuercas (6)** y **10 arandelas (3)**. Ajuste firmemente.

**NOTA:** Tenga cuidado de no pellizcar los cables al ensamblar el soporte de la consola.



## PASO DE ENSAMBLAJE 3

### PASO 3. TORNILLERÍA:



- 3.1 Abra la tornillería para el **Paso 3**.
- 3.2 Conecte el **cable conductor (24)** al **cable del manillar (25)** y pase el **cable del manillar (25)** a través del **soporte de la consola (33)**.
- 3.3 Fije el **manillar (30)** al **soporte de la consola (33)** con **4 pernos (4)** y **4 arandelas planas (3)**.

**NOTA:** Tenga cuidado de no pellizcar los cables al ensamblar el manillar.





## PASO DE ENSAMBLAJE 4

### PASO 4. TORNILLERÍA:



**8**  
Arandela  
Plana  
Ø10.5  
Cant: 1



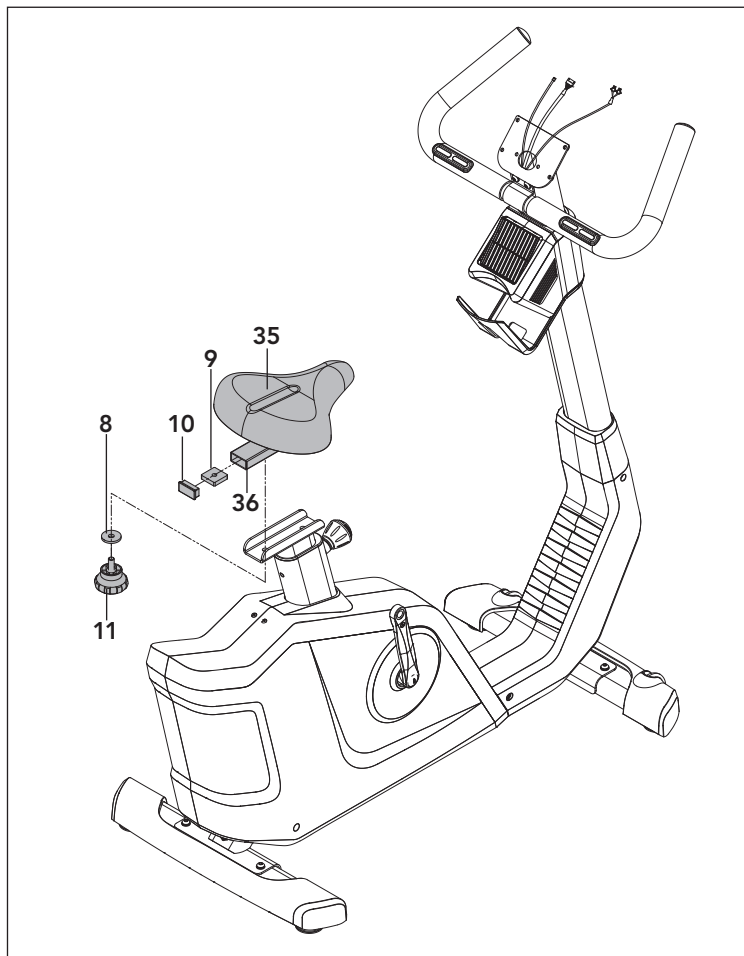
**9**  
Placa  
M10  
Cant: 1



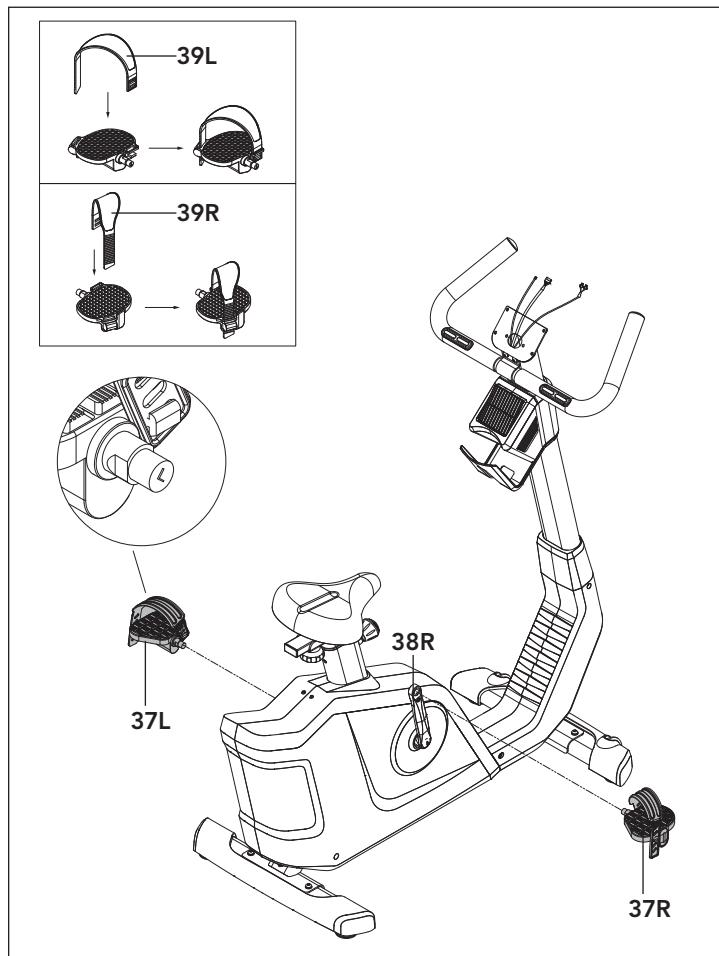
**10**  
Capuchón  
del extremo  
Cant: 1



**11**  
Perilla de ajuste  
del asiento  
Cant: 1



- 4.1 Abra la tornillería para el **Paso 4**.
- 4.2 Inserte la **placa (9)** en el **deslizador del asiento (36)**.
- 4.3 Coloque el **asiento (35)** con la **placa (9)** en el soporte en U del poste del asiento y atornille la **perilla de ajuste del asiento (11)** con la **arandela plana (8)** en la **placa (9)**.
- 4.4 Inserte el **capuchón del extremo (10)** en el **deslizador del asiento (36)**.



## PASO DE ENSAMBLAJE 5

- 5.1 Identifique el **pedal izquierdo (37L)**, que está marcado con "L" en el eje, y el **pedal derecho (37R)** marcado con "R".
- 5.2 Inserte el **Correas para pedal izquierdo (39L)** en el **pedal izquierdo (37L)** y el **Correas para pedal derecho (39R)** en el **pedal derecho (37R)**
- 5.3 Inserte el **pedal izquierdo (37L)** en el **brazo izquierdo de la manivela (38L)**; asegúrese de que las roscas de los tornillos estén alineadas. Ajuste hacia la izquierda.
- 5.4 Inserte el **pedal derecho (37L)** en el **brazo derecho de la manivela (38L)**; asegúrese de que las roscas de los tornillos estén alineadas. Ajuste hacia la derecha.
- 5.5 Utilice la **llave** para ajustar los pedales en su totalidad. No debe verse ninguna rosca de tornillo y el eje del pedal debe estar completamente verticaldo

**NOTA:** Asegúrese de que los pedales estén **COMPLETAMENTE AJUSTADOS** antes de usarlos.

**NOTA:** El brazo izquierdo de la manivela tiene rosca inversa, por lo que es muy importante ajustar hacia la izquierda. Ajustar en sentido contrario puede dañar el pedal o el brazo de la manivela.



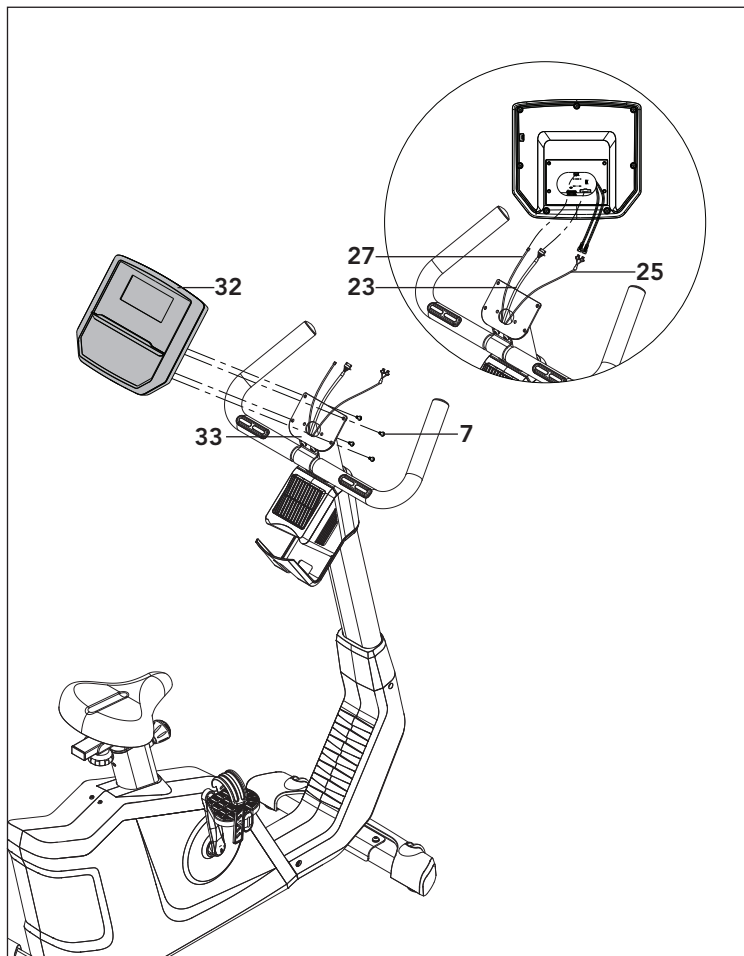
## PASO DE ENSAMBLAJE 6

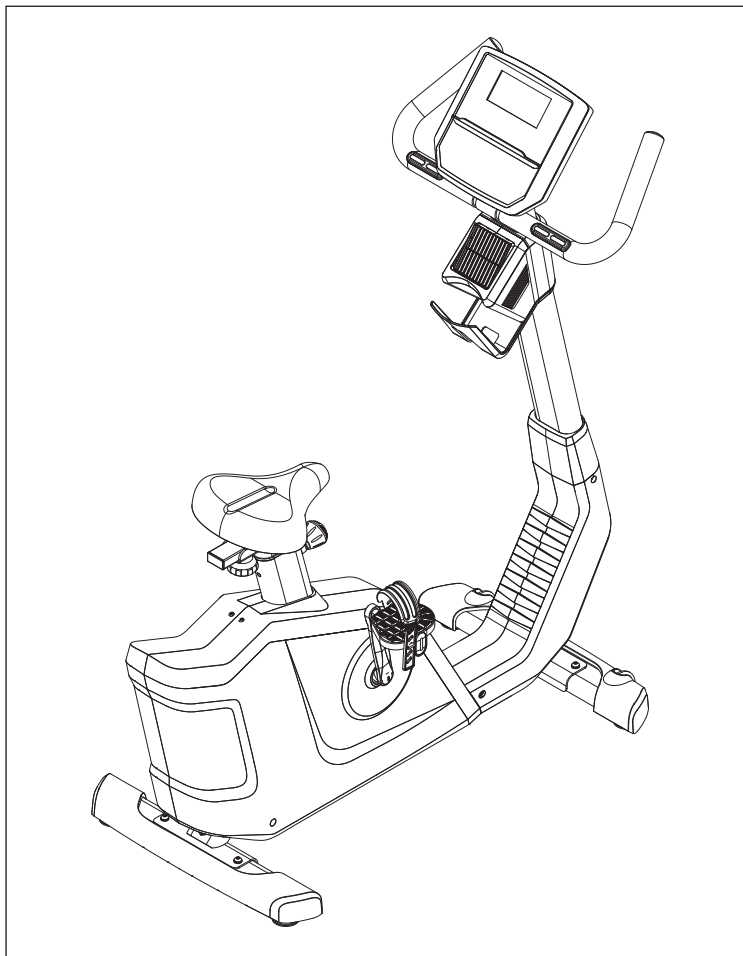
### PASO 6. TORNILLERÍA:



- 6.1 Abra la tornillería para el **Paso 6**.
- 6.2 Conecte el **cable de la consola (23)**, los **cables del manillar (25)** y el **cable del ventilador (27)** a la **consola (32)**.
- 6.3 Introduzca cuidadosamente todos los cables en el **soporte de la consola (33)**.
- 6.4 Fije la **consola (32)** al **soporte de la consola (33)** usando **4 pernos (7)**.

**NOTA:** Tenga cuidado de no pellizcar los cables al ensamblar la consola.





## PASO DE ENSAMBLAJE 7

**¡FELICITACIONES!**

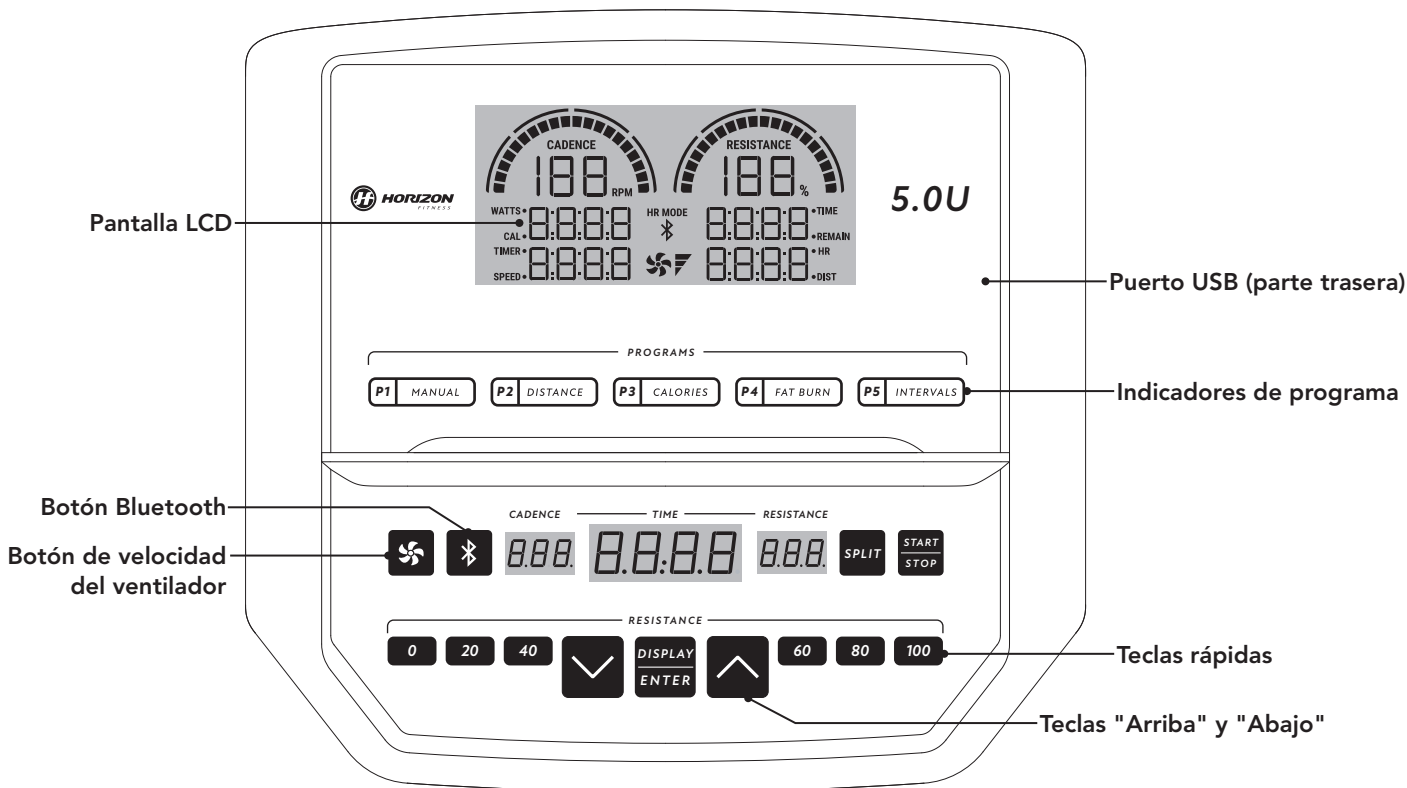
Ha terminado de ensamblar correctamente su bicicleta vertical.



# FUNCIONAMIENTO DE LA CONSOLA



## CONSOLA 5.0U



**NOTA:** La consola tiene una lámina de plástico transparente protectora que la recubre, que debe quitarse antes de usarla.



## FUNCIONAMIENTO DE LA CONSOLA 5.0U

**VENTANAS DE LA PANTALLA LCD:** tiempo, permanencia, distancia, calorías, frecuencia cardiaca, temporizador, velocidad, vatios, cadencia y nivel de resistencia.

**INDICADORES DE LA PANTALLA LCD:** indica qué información se muestra.

**START (Iniciar):** presione para comenzar a ejercitarse, empezar el entrenamiento o reanudar el ejercicio luego de una pausa.

**STOP (Detener):** presione para interrumpir o terminar el entrenamiento. Mantenga presionado 3 segundos para restablecer la consola.

**SPLIT (Dividir):** presione esta tecla para restablecer el temporizador progresivo del tiempo del segmento a 0 segundos.

**FLECHAS ARRIBA/ABAJO:** se usan para ajustar el nivel de resistencia.

**TECLAS RÁPIDAS:** se utilizan para saltar instantáneamente al nivel de resistencia deseado.

**DISPLAY/ENTER(Mostra/Aceptar):** para confirmar una selección. Presione para cambiar la visualización de la pantalla durante el entrenamiento.

**BLUETOOTH:** para conectar dispositivos bluetooth. Mantenga presionado para cambiar entre el modo Frecuencia cardíaca y el modo Aplicación.

**AHORRADOR DE ENERGÍA:** Para reducir al máximo el consumo de energía, la máquina entrará automáticamente en modo de ahorro de energía cuando no se usa. La consola se reactivará rápidamente al tocar cualquier botón.

**PUERTO USB:** solo para cargar, la salida máxima es 1A/5V.

## 5.0U PANTALLA DE LA CONSOLA

**TIEMPO/RESTANTE:** Se muestra en formato "minutos:segundos". Muestra el tiempo restante o transcurrido del entrenamiento.

**FRECUENCIA CARDIACA:** Muestra los latidos por minuto (LPM). Se usa para monitorear la frecuencia cardíaca (se muestra cuando se usan bandas de frecuencia cardiaca).

**DISTANCIA:** Se muestra en millas. Indica la distancia recorrida o restante durante el entrenamiento.

**VATIOS:** Indica el índice ciclístico en cualquier momento.

**CALORÍAS:** Las calorías totales quemadas o restantes por quemar durante el entrenamiento.

**TEMPORIZADOR:** casi idéntico a TIEMPO, con la diferencia de que se restablece en 0 cuando el usuario presiona la tecla "Split".

**VELOCIDAD:** Se muestra en millas por hora (MPH). Indica la velocidad general de la bicicleta en la carretera.

**RESISTENCIA:** Muestra el nivel actual de resistencia.

**RITMO:** Se muestra en revoluciones por minuto (RPM). Indica qué tan rápido se mueven los pedales.



## INFORMACIÓN DE PROGRAMA

**P1) MANUAL:** Permite ajustar la resistencia manualmente durante el entrenamiento.

**P2) DISTANCE:** Esfuércese y logre más mientras hace ejercicio, con 13 entrenamientos de distancia. Elija metas de 1 milla, 2 millas, 5k, 5 millas, 10k, 8 millas, 15k, 10 millas, 20k, media maratón, 15 millas, 20 millas, y maratón.

**P3) CALORIES:** Defina metas de quema de calorías.

**P4) FAT BURN:** Un entrenamiento diseñado específicamente para atacar la grasa. Promueve la pérdida de peso aumentando y disminuyendo la resistencia, para mantenerlo en la zona de quema de grasa. Incluye 10 niveles.

**P5) INTERVALS:** Mejora su resistencia, velocidad y fuerza al aumentar y disminuir la resistencia durante todo el entrenamiento, para trabajar el corazón y otros músculos. Incluye 10 niveles.





## CÓMO COMENZAR

1. Asegúrese de que no haya objetos cerca que impidan el movimiento de la bicicleta.
2. Conecte el cable de alimentación de energía.

NOTA: La bicicleta no tiene interruptor de encendido, y se encenderá al conectar la energía.

### INICIO RÁPIDO

Simplemente presione la tecla START (Comenzar) para empezar el entrenamiento. El tiempo comenzará a contar desde 0:00, y el nivel de resistencia estará en 0 de manera predeterminada. TAMBIÉN PUEDE...

### SELECCIONAR UN ENTRENAMIENTO O META

1. Seleccione su PROGRAMA con los botones de las flechas "Arriba" y "Abajo", y presione ENTER (Intro) cuando se muestre el PROGRAMA que desea.
2. Ajuste la CONFIGURACIÓN con los botones de las flechas "Arriba" y "Abajo", y presione ENTER (Intro) cuando se muestre la CONFIGURACIÓN que desea.
3. Presione START (Comenzar) para empezar.

NOTA: Si no se selecciona un ENTRENAMIENTO, el programa funcionará como MANUAL. Todos los cambios de los niveles de resistencia los debe realizar el usuario en esta configuración.

### PARA RESTABLECER LA CONSOLA

Mantenga presionada la tecla STOP durante 3 segundos.

### TERMINAR EL ENTRENAMIENTO

Cuando el entrenamiento haya terminado, la pantalla del monitor emite un tono. La información de su entrenamiento seguirá visualizándose en la pantalla durante 30 segundos y luego se restablecerá.

### BORRAR LA SELECCIÓN ACTUAL


Para borrar la selección de programa actual o la pantalla, mantenga presionado el botón STOP durante 3 segundos.



## COMO CAMBIAR ENTRE EL MODO FRECUENCIA CARDÍACA POR APLICACIÓN Y POR BLUETOOTH

### Inicio - P1

#### Conectarse a una aplicación (modo predeterminado)


Si usa una aplicación de terceros, active el Bluetooth (BT) del dispositivo y siga las instrucciones de la aplicación para emparejar. Asegúrese de que la consola de la bicicleta no esté conectada a otros dispositivos Bluetooth revisando que el símbolo de Bluetooth  no se muestre en la consola.

Si desea usar una banda de frecuencia cardiaca Bluetooth con una aplicación de terceros compatible, conecte la banda de frecuencia cardiaca desde la interfaz de la aplicación (siga las instrucciones en la aplicación para encontrar y conectar la banda de frecuencia cardiaca).

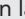
Siga las instrucciones en la aplicación de terceros para iniciar el programa. Para algunas es necesario comenzar desde la aplicación, otras necesitan que primero presione el botón **Start** (Comenzar) en la consola.

Para detener el entrenamiento, termine el trayecto en la aplicación y presione el botón **Stop** (Detener) en la consola durante 3 segundos.

#### Conectar una banda de frecuencia cardiaca (desactivado de manera predeterminada)

Para acceder al **modo de banda de frecuencia cardiaca**, asegúrese de que la consola no esté conectada a otros dispositivos Bluetooth revisando que el símbolo de Bluetooth  no se muestre en la consola.

Colóquese la banda de frecuencia cardiaca y asegúrese de leer las instrucciones de la banda. **Nota:** Algunas bandas de frecuencia cardiaca para pecho deben humedecerse para obtener una lectura de frecuencia cardiaca precisa.

Mantenga presionado el botón Bluetooth unos segundos hasta que se muestre el símbolo "HR MODE" (Modo Bluetooth) en la esquina derecha de la pantalla LCD. Una vez que la consola detecte la banda de frecuencia cardiaca Bluetooth, el símbolo de Bluetooth  se mostrará en la pantalla LCD.

Al presionar "**Start**" para comenzar el entrenamiento, la consola debe mostrar la frecuencia cardíaca.

Para salir del modo de banda de frecuencia cardiaca, desconecte el dispositivo de frecuencia cardiaca Bluetooth y asegúrese de que el símbolo de Bluetooth desaparezca de la pantalla. Luego mantenga presionado el botón Bluetooth algunos segundos hasta que "HR MODE" desaparezca de la pantalla LCD. **NOTA:** la consola puede tardar algunos segundos en desconectar el Bluetooth.

### HORIZON SISTEMA DE FITNESS CONECTADO

Su máquina Horizon está preparada para Bluetooth, lo que le permite usar la tecnología Bluetooth 4.0 para conectar de forma inalámbrica su dispositivo y otras aplicaciones a su producto Horizon. Para obtener una lista completa de aplicaciones de fitness de terceros compatibles con su producto Horizon, siga el enlace a continuación:

<http://horizonfit.co/5-0U>





# RESOLUCIÓN DE PROBLEMAS Y MANTENIMIENTO



## PREGUNTAS COMUNES DEL PRODUCTO

### **¿SON NORMALES LOS SONIDOS QUE HACE MI Bicicleta vertical?**

Nuestras bicicletas fijas son unas de las más silenciosas del mercado, porque utilizan transmisión de banda y resistencia mediante frenos magnéticos. Utilizamos cojinetes, cadenas y bandas de la más alta calidad para minimizar el ruido. Sin embargo, debido a que el sistema de resistencia es tan silencioso, ocasionalmente escuchará otros ruidos mecánicos suaves. Al contrario de las que tienen tecnologías más antiguas y ruidosas, nuestras bicicletas fijas no tienen ventiladores, bandas de fricción o ruidos de alternador que oculten estos sonidos. Estos ruidos mecánicos, que pueden o no ser intermitentes, son normales y pueden ser ocasionados por la transferencia de cantidades significativas de energía al volante que gira rápidamente. Todos los cojinetes, cadenas, bandas y otras partes rotativas generan ciertos sonidos que se transmiten mediante la carcasa y el armazón. Es normal que estos sonidos cambien un poco durante el entrenamiento y con el tiempo, debido a la expansión térmica de las piezas.

### **¿POR QUÉ LA Bicicleta vertical QUE ME ENTREGARON ES MÁS RUIDOSA EN COMPARACIÓN CON LA DE LA TIENDA?**

Todos los productos de estado físico parecen más silenciosos en las salas de ventas de las tiendas grandes, porque generalmente en ellas hay más ruido ambiente que en su casa. También, un piso de concreto alfombrado produce menos reverberación que un piso de madera sobrepuesta. En ocasiones, un tapete de caucho grueso ayuda a reducir la reverberación del piso. El ruido se refleja más cuando el producto de estado físico se coloca cerca de una pared.

### **¿CUÁNTO DURA LA BANDA?**

El modelamiento computarizado que realizamos nos indica que ofrece virtualmente miles de horas sin mantenimiento. No debería tener que reemplazar la banda durante el tiempo que tenga la bicicleta vertical.

### **UNA VEZ ENSAMBLADA, ¿PUEDO MOVER LA Bicicleta vertical FÁCILMENTE?**

La bicicleta vertical tiene dos ruedas de transporte incorporadas en el tubo del estabilizador delantero. Para transportar la bicicleta vertical, consulte la sección "Cómo mover la bicicleta vertical". Es importante que coloque la bicicleta vertical en una habitación cómoda y acogedora. La bicicleta vertical está diseñada para ocupar el mínimo espacio en el piso. Algunas personas prefieren colocar las bicicletas fijas orientadas hacia un televisor o ventana. Si es posible, evite colocar la bicicleta vertical en un sótano sin terminar. Para que el ejercicio sea una actividad deseable para usted, la bicicleta vertical debe estar en un entorno cómodo.



## RESOLUCIÓN DE PROBLEMAS

**PROBLEMA:** La bicicleta vertical hace ruidos de chillido o gorgojeo.

**SOLUCIÓN:** Compruebe lo siguiente:

- Que la bicicleta vertical esté sobre una superficie nivelada.
- Afloje todos los pernos colocados durante el proceso de ensamblaje, engrase las rosas y apriete de nuevo.

Si esto no soluciona el problema,  
**COMUNÍQUESE CON ASISTENCIA TÉCNICA AL CLIENTE AL NÚMERO DE TELÉFONO QUE ENCUENTRA EN LA CONTRAPORTADA.**

Cuando llame, le pedirán la siguiente información. Tenga esta información a la mano:

- Nombre del modelo
- Número de serie
- Prueba de compra (recibo o extracto de la tarjeta de crédito)

En la sección de asistencia para el cliente de nuestro sitio web encuentra más sugerencias para solucionar problemas. Comuníquese con asistencia al cliente usando la información que encuentra en la CONTRAPORTADA.

Para solicitar a Asistencia Técnica al Cliente que preste servicio a su bicicleta vertical, le harán preguntas más detalladas sobre los síntomas que tiene. Algunas de las preguntas que pueden hacerle son:

- ¿Hace cuánto tiempo ocurre el problema?
- ¿El problema ocurre siempre que la usa? ¿Le sucede a todos los usuarios?
- Si escucha un ruido, ¿proviene de la parte delantera o la trasera? ¿Qué tipo de ruido es (golpeteo, rechinamiento, chillido, gorgojeo, etc.)?
- ¿La máquina se ha lubricado y mantenido de acuerdo al programa de mantenimiento?

¡Responder estas y otras preguntas permitirá que los técnicos puedan enviar las piezas de recambio correctas y el servicio necesario para que su bicicleta vertical funcione de nuevo!



## MANTENIMIENTO

### ¿Qué tipo de mantenimiento de rutina se necesita?

Se necesita mantenimiento y limpieza mínimos. Utilizamos cojinetes sellados en todas nuestras bicicletas, por lo que no hay necesidad de lubricarlas. El paso más importante del mantenimiento es simplemente limpiar su transpiración de la bicicleta luego de cada uso.

### ¿Cómo limpio la bicicleta?

Límpiala únicamente con limpiadores de agua y jabón suave. Nunca use solventes sobre las partes plásticas. La limpieza de la bicicleta y del ambiente donde funciona mantendrá al mínimo los problemas de mantenimiento y las llamadas de servicio. Por esta razón, recomendamos utilizar el siguiente programa de mantenimiento preventivo.

## PROGRAMA DE MANTENIMIENTO

### DESPUÉS DE CADA USO

Limpie la bicicleta vertical usando paños suaves, toallas desechables u otra solución suave (los agentes limpiadores no deben tener alcohol ni amoníaco). Desinfecte el asiento y los manubrios, y limpie todos los residuos corporales.

### ANTES DE CADA USO

Asegúrese de que la bicicleta vertical esté nivelada y que no se balancee. Asegúrese de que los pedales estén bien apretados en las bielas y que no estén trasroscados, que todos los tornillos de los pedales estén apretados y que las bandas de los pedales no estén desgastadas.

### MENSUALMENTE

Compruebe que todos los pernos del ensamblaje y pedales de la máquina estén apretados correctamente.

Seguir este programa prolongará la vida útil de la máquina.



# GARANTÍA LIMITADA PARA USO DOMÉSTICO



**CAPACIDAD DE PESO = 136 kilogramos (300 lb)**

### **ARMAZÓN • DE POR VIDA**

El fabricante garantiza el armazón contra defectos de mano de obra y materiales durante el periodo especificado anteriormente, a partir de la fecha de la compra, siempre que el dispositivo continúe siendo propiedad del comprador original. (Armazón se define como la base de metal soldado de la unidad, y no incluye ninguna de las partes que se pueden quitar).

### **PIEZAS Y ELECTRÓNICA • 1 AÑO**

El fabricante garantiza los componentes electrónicos, el acabado y todas las piezas originales durante un periodo especificado anteriormente, a partir de la fecha de la compra original, siempre que el dispositivo continúe siendo propiedad del comprador original.

### **MANO DE OBRA • 1 AÑO**

El fabricante cubrirá los costos de mano de obra para la reparación del dispositivo durante un periodo especificado anteriormente a partir de la fecha de compra original, siempre que el dispositivo continúe siendo propiedad del comprador original.

## **EXCLUSIONES Y LIMITACIONES**

Quién está cubierto:

- El propietario original, y no es transferible.

Lo que está cubierto:

- La reparación o reemplazo de motores, componentes electrónicos o piezas defectuosas será la única reparación que ofrece la garantía.

Lo que NO está cubierto:

- Desgaste normal; ensamblaje o mantenimiento incorrecto; o instalación de piezas o accesorios que no están destinados originalmente a usarse con la máquina, o que no son compatibles con el equipo tal como se vendió.
- Daños o fallas debidas a accidentes, abuso, corrosión, decoloración de pintura o plástico, descuido, robo, vandalismo, incendio, inundación, viento, rayos, congelamiento u otros desastres naturales de cualquier tipo; reducción, fluctuación o fallas de potencia por cualquier causa; condiciones atmosféricas inusuales; colisión; introducción de objetos extraños en la unidad cubierta; o modificaciones no autorizadas o no recomendadas por el Fabricante.
- Daños incidentales o resultantes. El Fabricante no asume responsabilidad directa, indirecta, especial o resultante por daños; pérdidas económicas, de propiedad o utilidades; incapacidad de disfrute o uso; o cualquier otro perjuicio resultante de cualquier naturaleza en relación con la compra, uso, reparación o mantenimiento del equipo. El Fabricante no ofrece compensación monetaria ni de tipo





alguno por dichos costos de reparación o reemplazo, lo que incluye, entre otros, tarifas de membresía de gimnasios, tiempo de trabajo perdido, visitas de diagnóstico o mantenimiento, o transporte.

- Equipo usado para fines comerciales o cualquier uso diferente del uso por parte de una sola familia u hogar, a menos que el Fabricante acepte dicha cobertura.
- Equipo de propiedad u operado por fuera de EE. UU. y Canadá.
- Entrega, ensamblaje, instalación, configuración de unidades originales o de reemplazo, o la mano de obra y otros costos asociados a la remoción o reemplazo de la unidad cubierta.
- Cualquier intento de reparar este equipo crea un riesgo de lesiones. El Fabricante no se responsabiliza por ningún perjuicio, pérdida o responsabilidad que surja de lesiones personales sufridas durante el curso, o como resultado de, cualquier reparación o intento de reparación de su equipo de estado físico que sea realizado por personas diferentes a los técnicos de servicio autorizados. Todas las reparaciones que usted intente a su equipo de estado físico son A SU PROPIO RIESGO, y el Fabricante no será responsable por ninguna lesión personal o daño a la propiedad que sea consecuencia de dichas reparaciones.
- Si la garantía del Fabricante ya ha caducado, pero tiene una garantía extendida, consulte el contrato de garantía extendida para conocer la información de contacto relacionada con servicio o reparaciones bajo la garantía extendida.

## SERVICIO Y DEVOLUCIONES

- El servicio a domicilio está disponible hasta a 150 millas del Proveedor de servicio autorizado más cercano (la distancia mayor a 150 millas del centro de servicio autorizado es responsabilidad del consumidor).
- Todas las devoluciones deben ser autorizadas previamente por el Fabricante.
- La obligación del Fabricante de conformidad con esta garantía se limita a reemplazar o reparar, a elección del Fabricante, el mismo modelo o uno comparable.
- El Fabricante puede solicitar que los componentes defectuosos sean regresados al Fabricante luego de terminar el servicio por garantía utilizando una etiqueta prepagada para enviar la devolución. Si le indicaron que debe devolver piezas y no recibió una etiqueta, comuníquese con Asistencia Técnica al Cliente.
- En ocasiones se pueden suministrar unidades de reemplazo, piezas y componentes electrónicos reacondicionados a su estado como nuevos por el Fabricante o sus proveedores, y esto constituye cumplimiento de los términos de la garantía.
- Esta garantía le da derechos legales específicos, y puede que sus derechos varíen de un estado a otro.



## CUSTOMER TECH SUPPORT

**DO NOT RETURN TO THE RETAILER**  
if you have any problems during  
assembly or if parts are missing.

For fast and friendly service, please  
contact one of our trained customer  
technicians via phone, email or our  
website.

We want to know if you have a  
problem and we want to have an  
opportunity to correct it for you.

Additional product information is  
available on our website.



## ASSISTANCE TECHNIQUE

**NE PAS RETOURNER L'APPAREIL AU  
DÉTAILLANT**

en cas de difficulté lors de l'assemblage ou si des  
pièces manquent.

Pour obtenir un service rapide et utile, veuillez  
communiquer avec un de nos techniciens formés  
au soutien à la clientèle par téléphone, courriel ou  
notre site Web.

Si vous avez un problème, n'hésitez pas à nous  
contacter afin que nous puissions vous aider à le  
résoudre.

Des renseignements supplémentaires sur le  
produit sont disponibles sur notre site Web.



## SERVICIO DE ASISTENCIA TÉCNICA PARA CLIENTES

**NO DEVOLVER AL VENDEDOR**

si tiene algún inconveniente durante el  
armado o si faltan piezas.

Para obtener un servicio rápido y grato,  
comuníquese con uno de nuestros técnicos  
capacitados para la atención de clientes vía  
teléfono, correo electrónico o nuestro sitio  
web.

Queremos saber si tiene un problema  
y queremos tener la oportunidad de  
corregirlo para usted.

En nuestro sitio web hay información  
adicional sobre el producto.



**USA & CANADA:**

**1-855-396-2524**

**techsupport@horizonfitness.com**

**www.horizonfitness.com**

For technical support, how-to videos and more, please visit:

Pour obtenir une assistance technique, des vidéos pratiques et plus  
encore, veuillez vous rendre sur le site:

Para obtener soporte técnico, videos instructivos y más, visite:

**<https://horizonfit.co/support>**

