

pivot[®]

**PIVOT TOPSPIN 15
TABLE TENNIS TABLE**

Product Code: FSSID15



Retain this owner's manual for future reference. Read and follow all instructions in this owner's manual.

Warranty Registration Form

Congratulations on purchasing your product, we at GPI believe that our product range is of the highest quality and represents great value for money. We back our product range up with our industry leading warranty.

Please see below for the step by step instructions on how to register your product warranty online.



Step 1 Visit our Website

Go to the GPI Sports website:

<https://service.gpi.com.au/registerwarranty.php>



Step 2 Enter Purchase Information

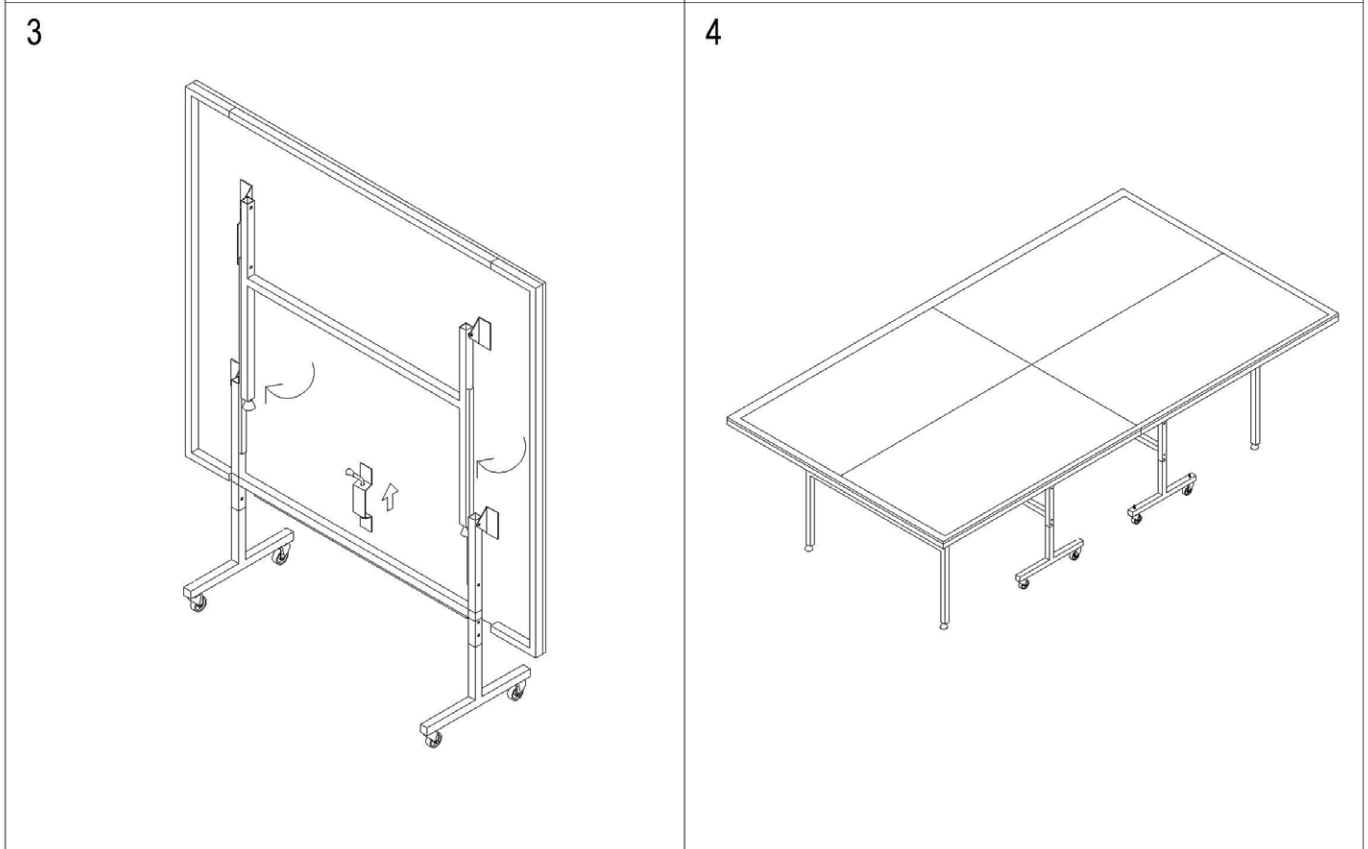
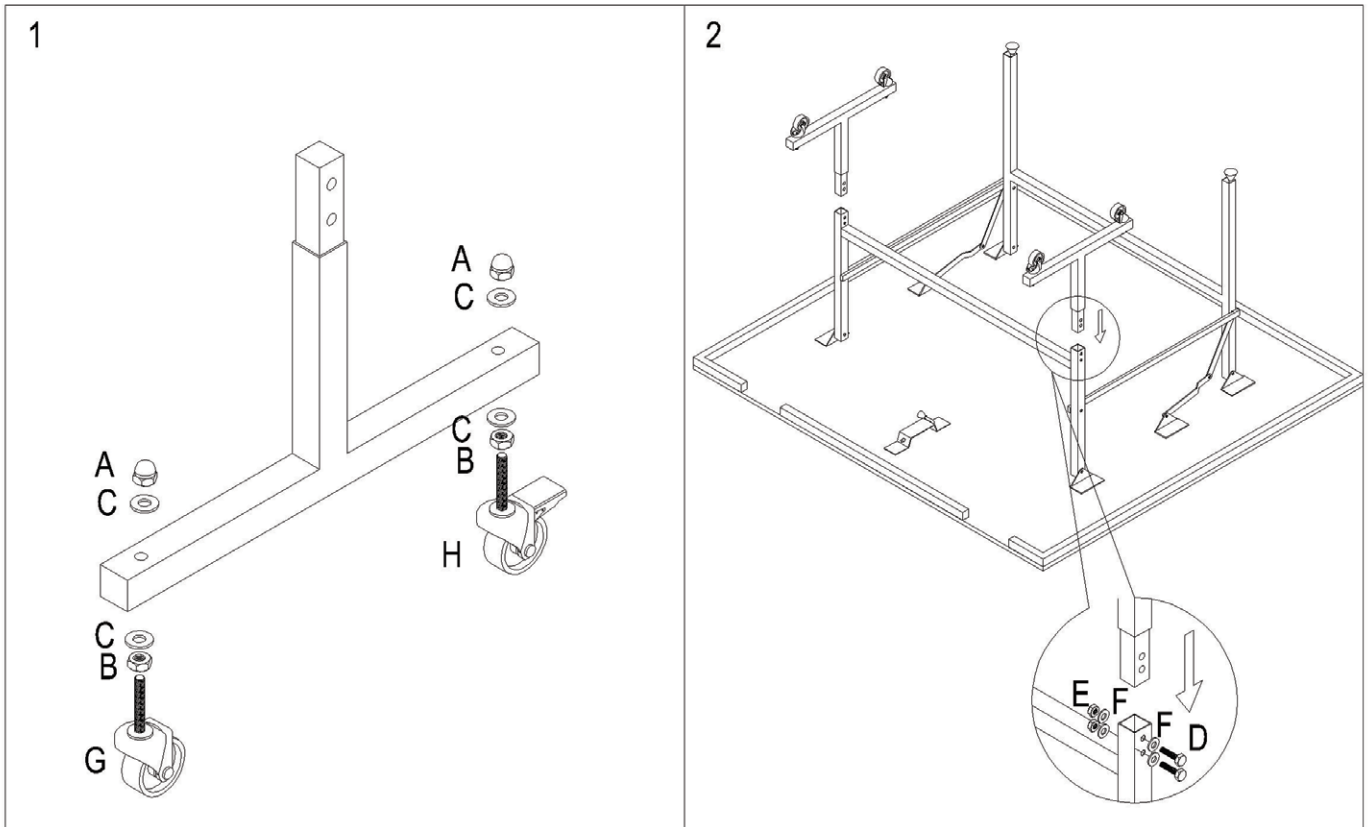
Enter all purchase information including the model number, serial number and proof of purchase which can be uploaded from this page











Step 3 Contact Our Service Department

If a warranty service request is required on your product please email service@gpigroup.com.au or call the toll free number - **1800 005 770**

ASSEMBLY INSTRUCTIONS



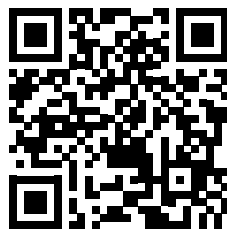
<p>A</p>  <p>12 Cap nut: 8 PCS</p>	<p>B</p>  <p>12 nut : 8 PCS</p>	<p>C</p>  <p>12 washer: 8 PCS</p>	<p>D</p>  <p>8*45 bolt: 8 PCS</p>	<p>E</p>  <p>8 nut: 8 PCS</p>	<p>F</p>  <p>8 washer: 16 PCS</p>	<p>G</p>  <p>unlock wheel: 4pcs</p>	<p>H</p>  <p>Lock wheel: 4PCS</p>
---	--	--	--	--	--	--	--

pivot[®]

PIVOT TOPSPIN 15 TABLE TENNIS TABLE

Product Code: FSSID15

www.gpisports.com.au



DISTRIBUTED EXCLUSIVELY BY

GPI Sports & Fitness

275 Wellington Road

Mulgrave, VIC, 3170

Australia
